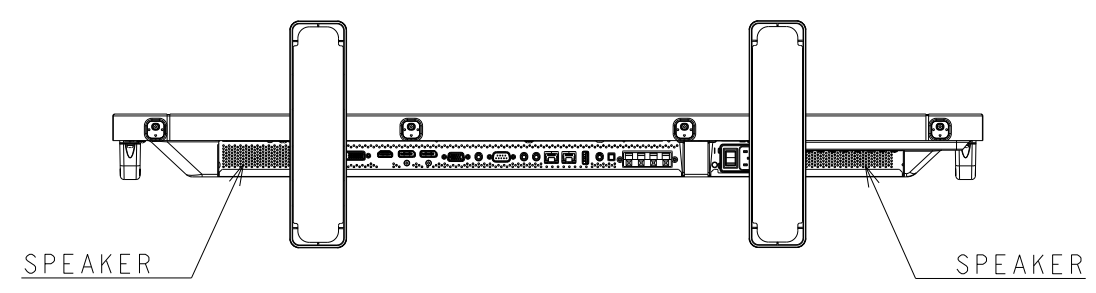
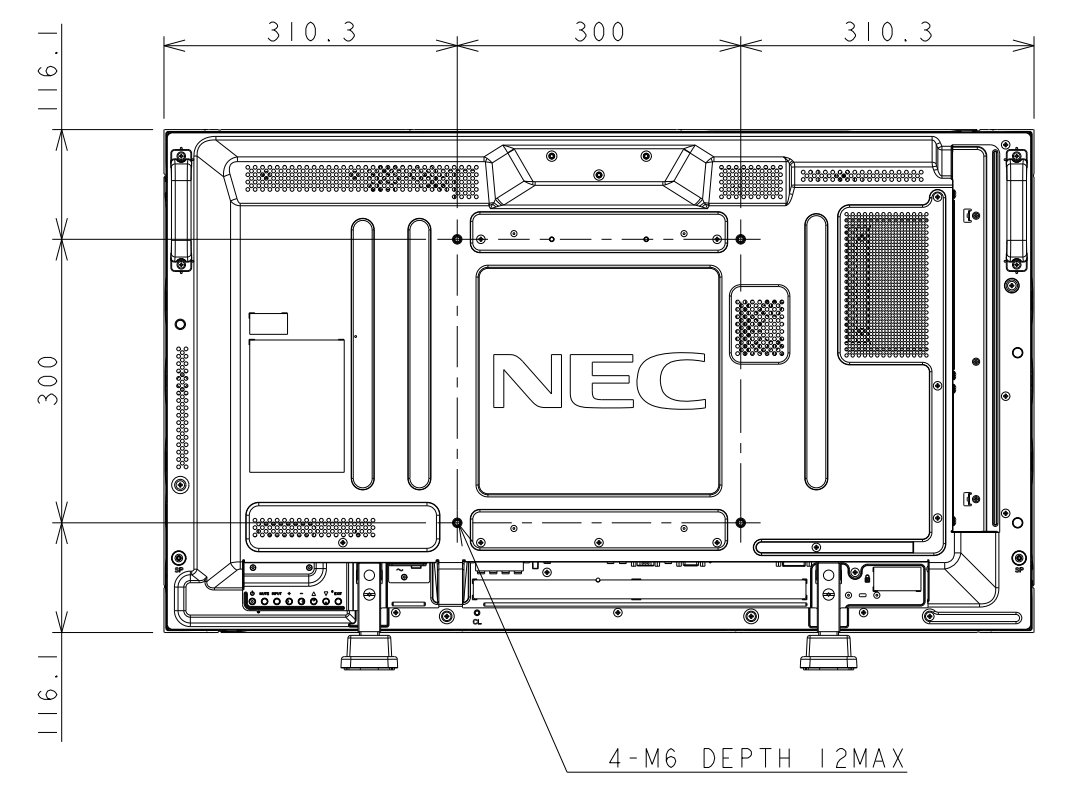
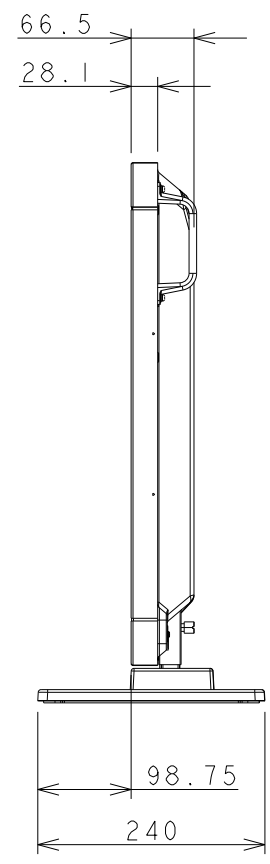
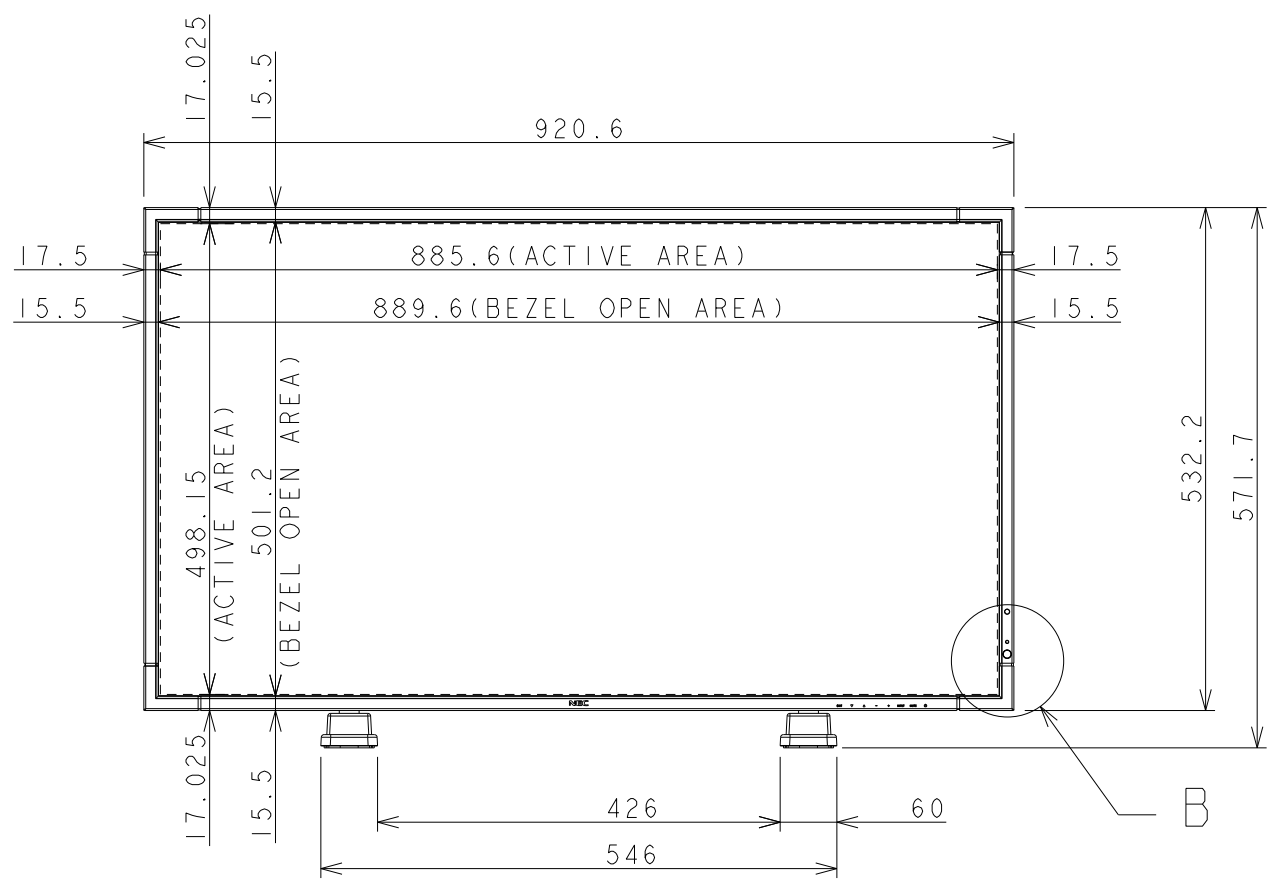
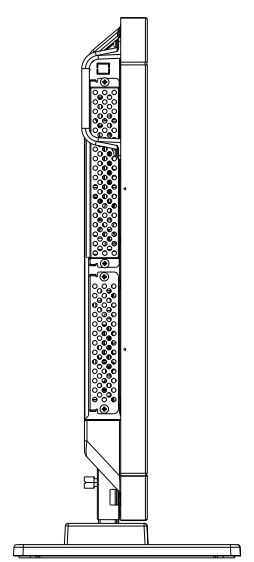
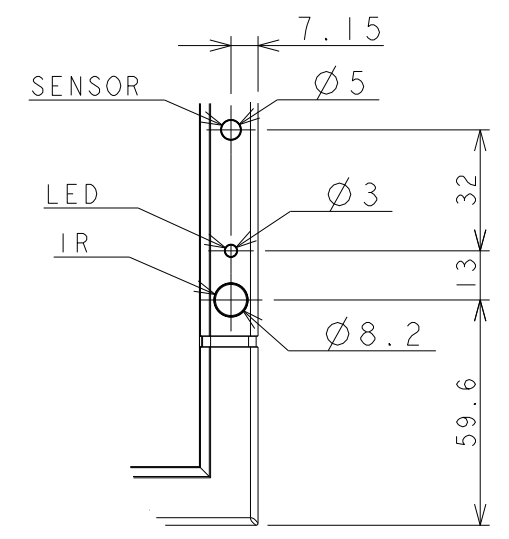
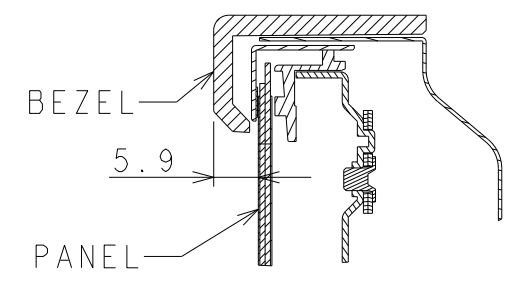
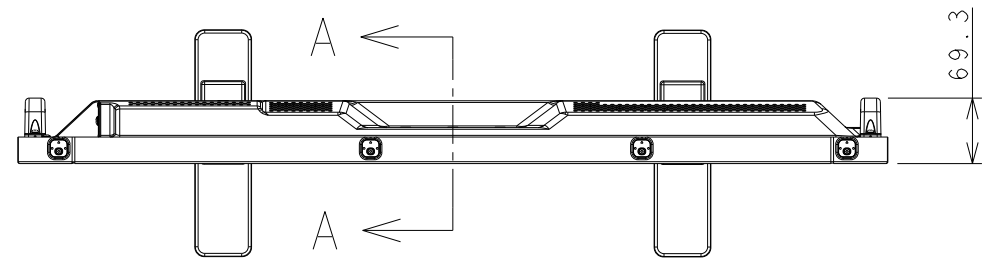


# P403 OUTLINE WITH STAND

2013/09/20



SIZE A3  
SCALE 1/8  
DIM mm