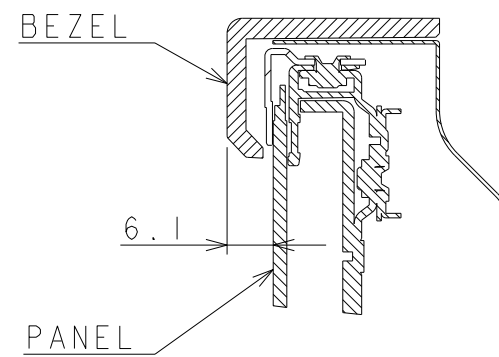
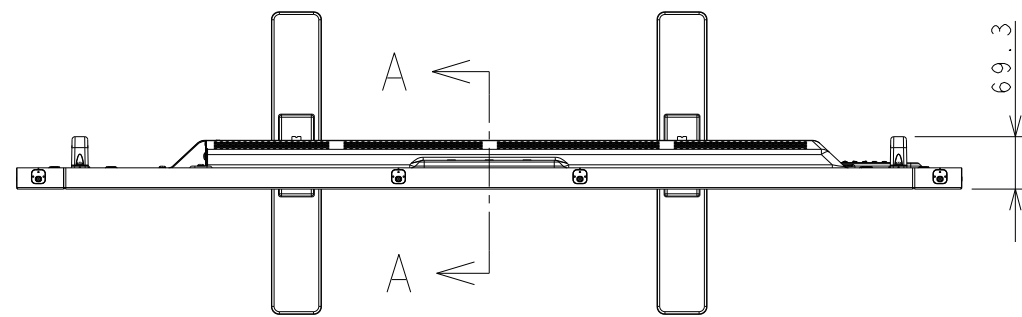
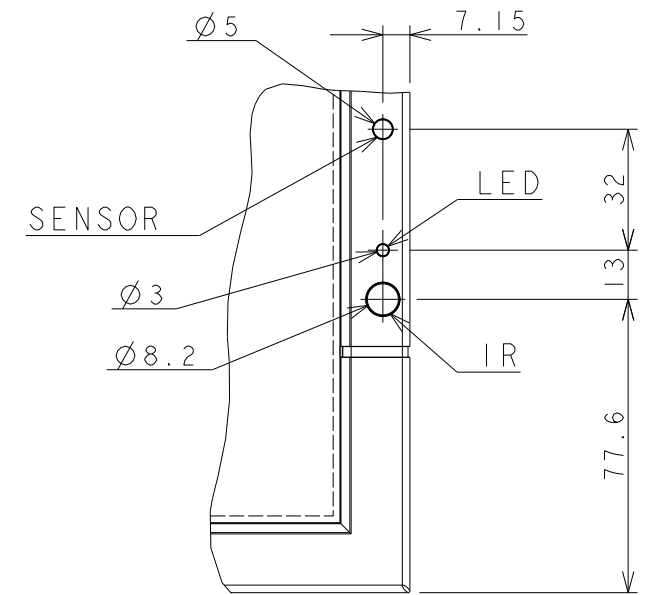


# P553 OUTLINE WITH STAND

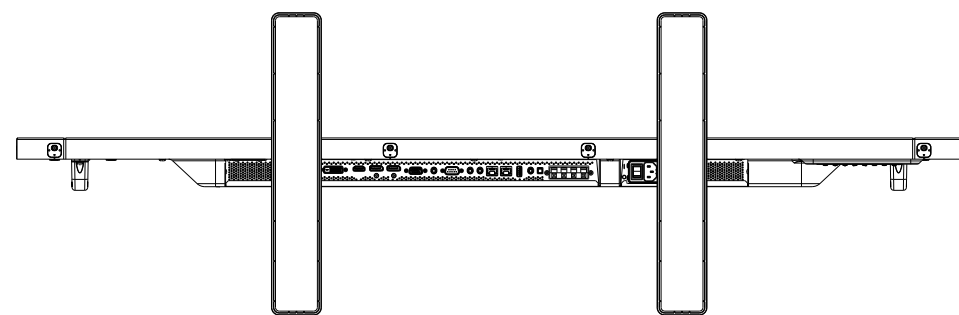
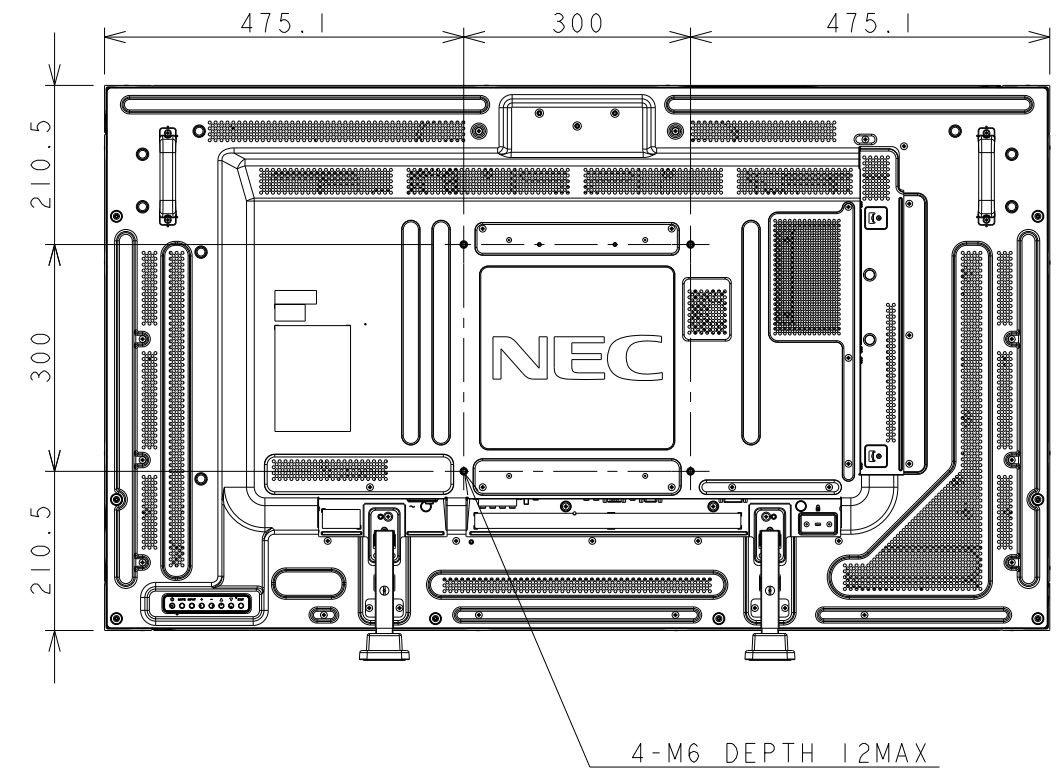
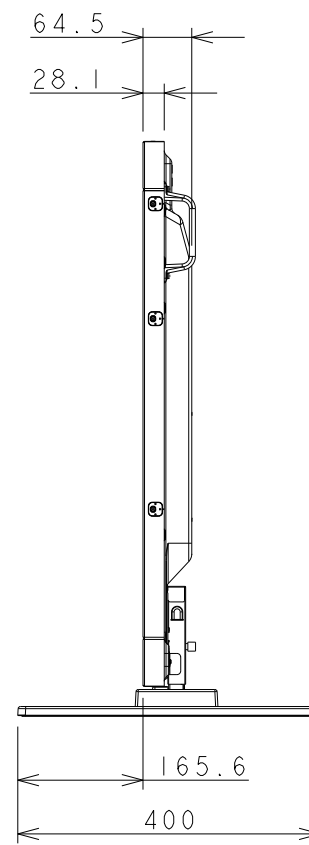
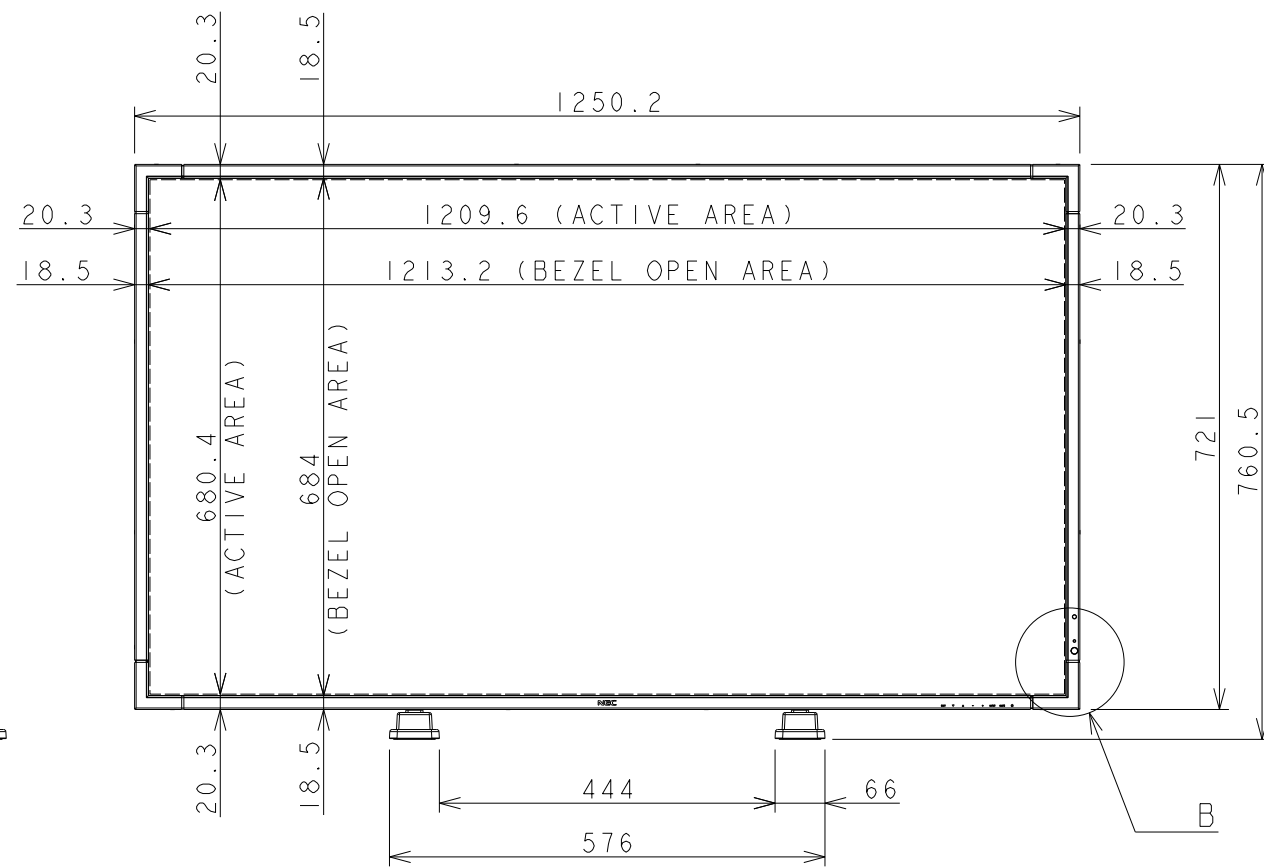
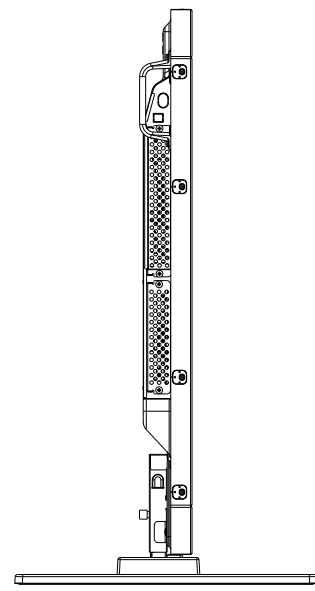
2013/08/20



SECTION A-A  
SCALE 1/1



DETAIL OF B  
SCALE 1/2



SIZE A3  
SCALE 1/10  
DIM mm