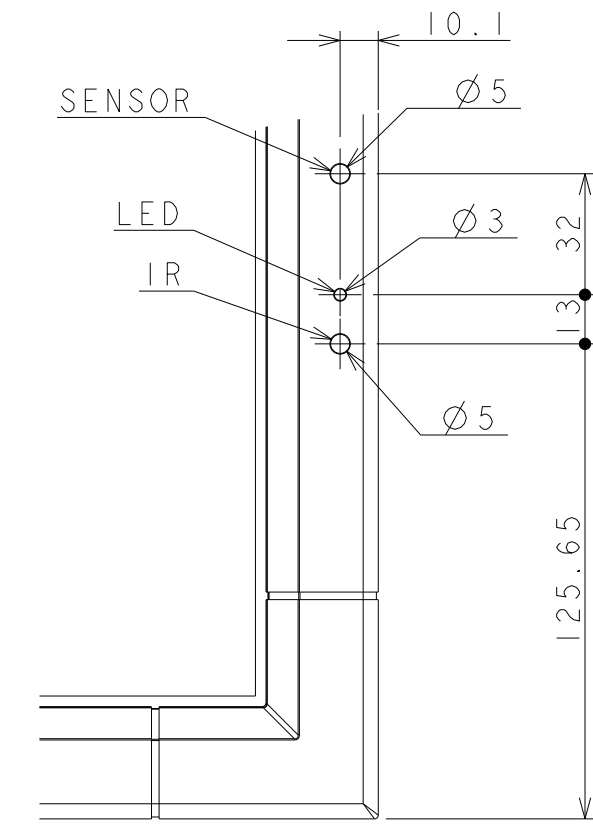


section B-B  
scale 1/1



A(1/2)

