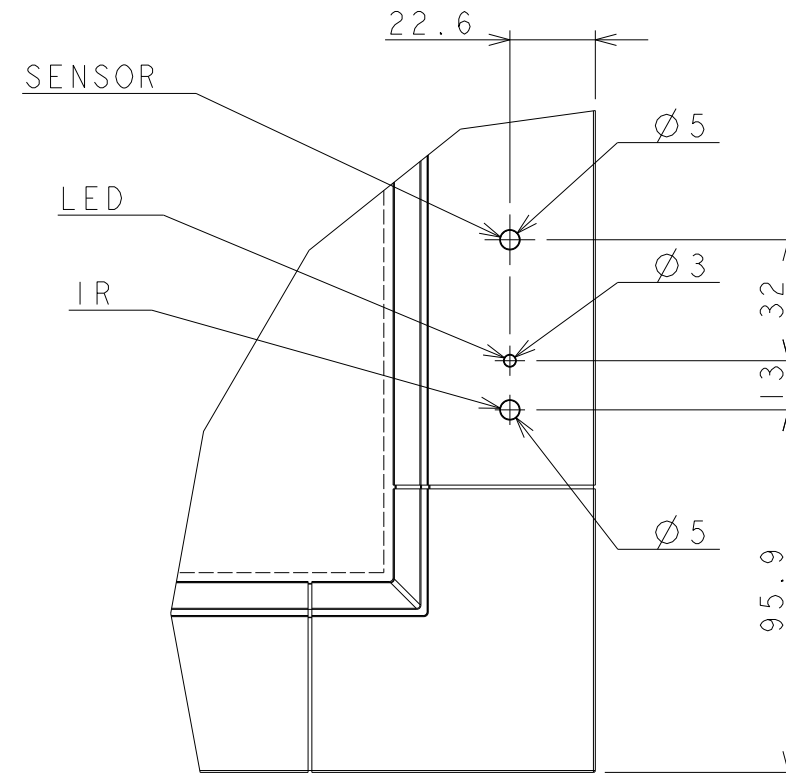
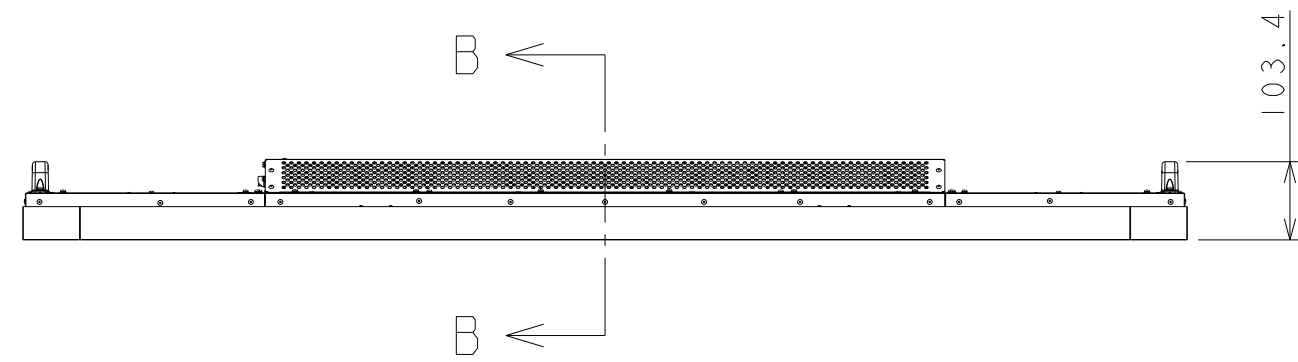
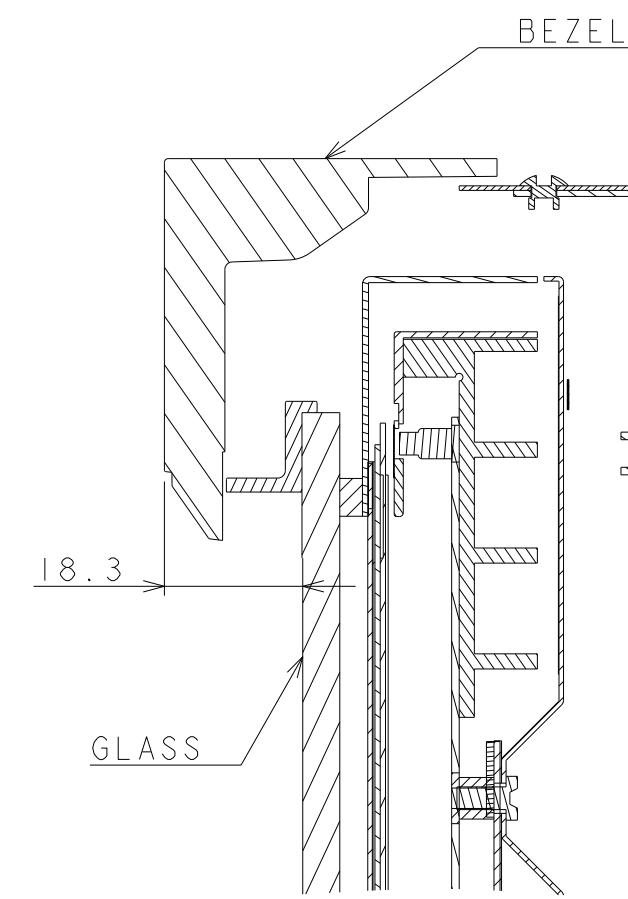


V652-TM OUTLINE

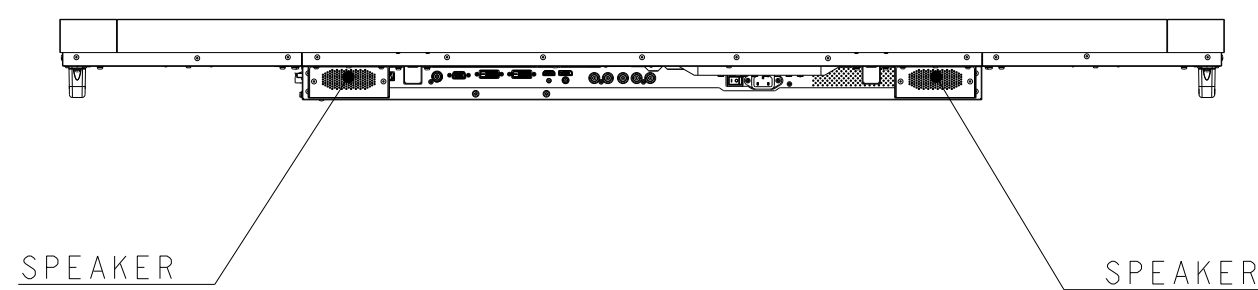
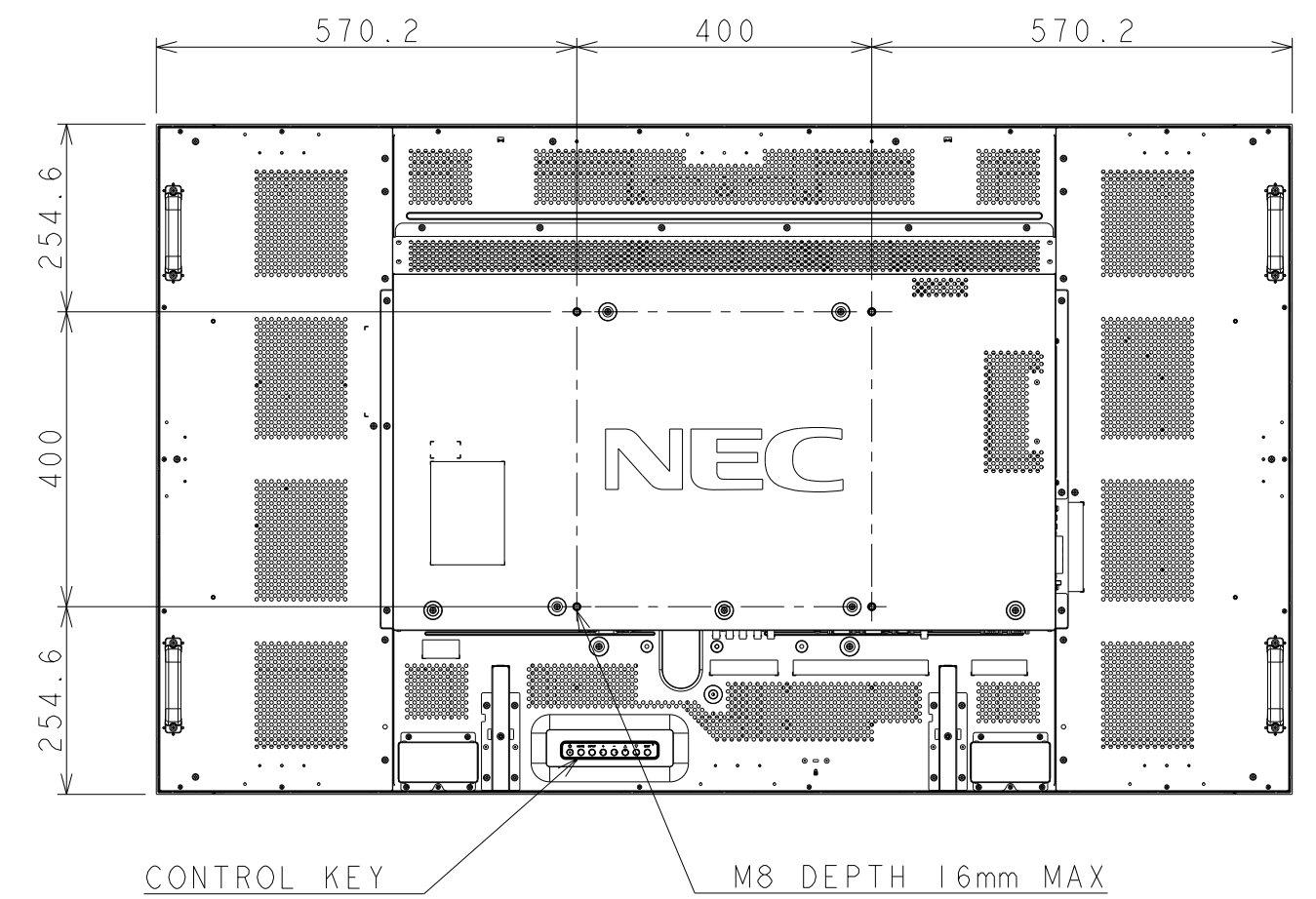
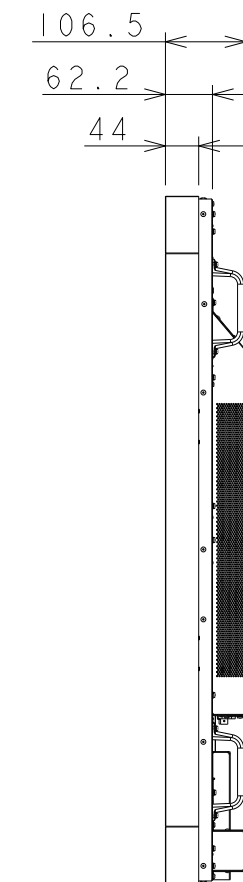
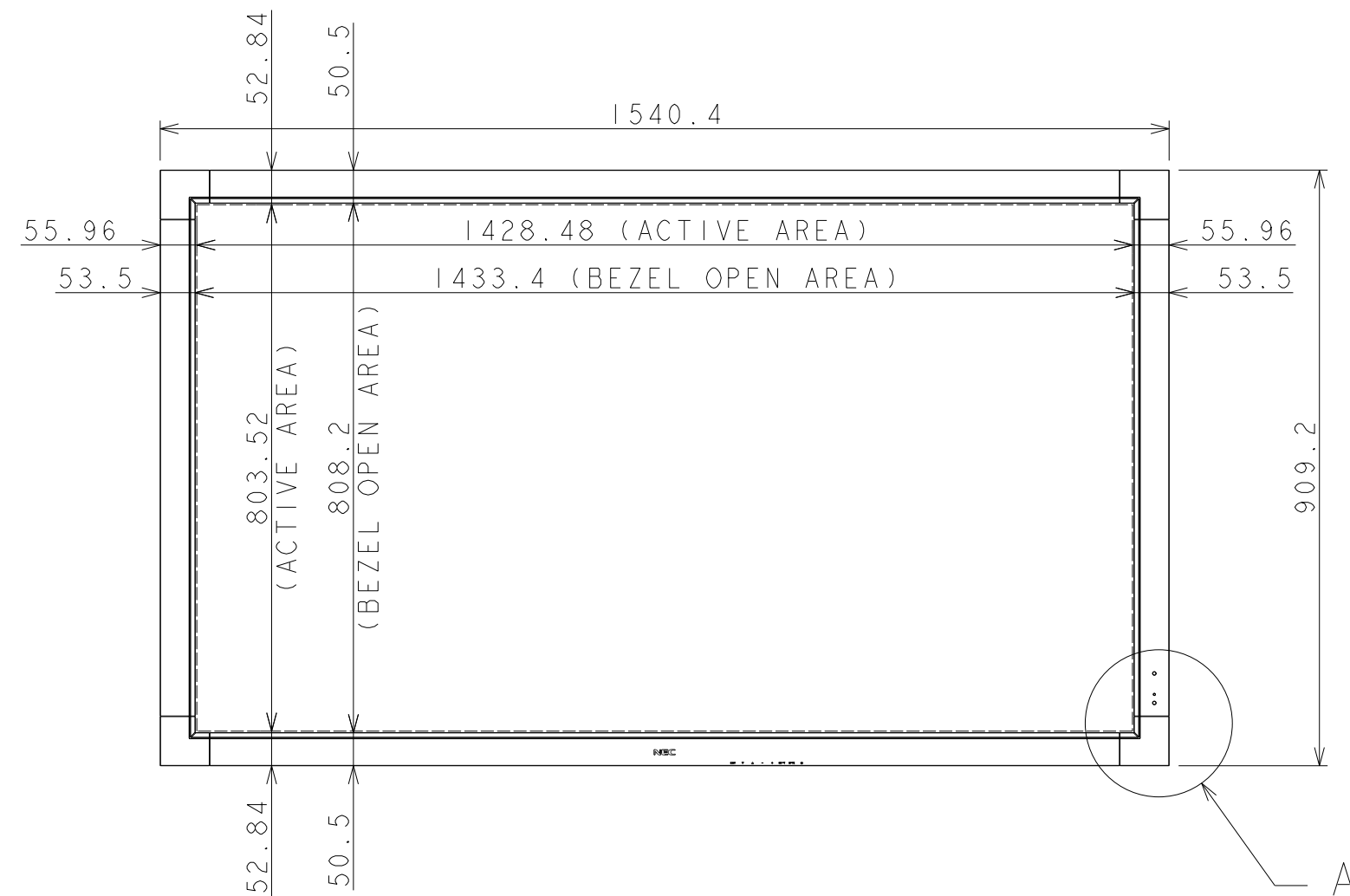
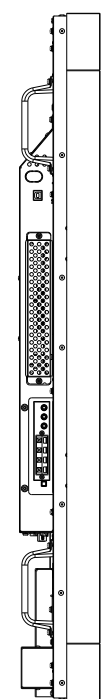
2013/09/20



DETAIL A
SCALE 1/2



SECTION B-B
SCALE 1/1



SIZE A2
SCALE 1/10
DIM mm