

Lens Unit User's Manual

Model NP30ZL

This manual discusses specifications and focus adjustment for the NP30ZL short focus zoom lens.
For cautions on handling the lens, see the User's Manual supplied with the lens.
For instructions on mounting, removing, and cleaning the lens, see the User's Manual supplied with the projector.

NOTE: The drawings in this manual may differ slightly from the actual product.

Specifications

Throw distance (Unit: m)

Screen size (inch)	Projector model name		
	PA600X/PA500X	PA550W	PA500U
30"	-	-	-
40"	-	-	-
60"	1.0-1.3	1.0-1.3	1.0-1.3
80"	1.3-1.7	1.4-1.8	1.4-1.8
100"	1.6-2.1	1.7-2.2	1.7-2.2
120"	2.0-2.6	2.1-2.7	2.0-2.7
150"	2.5-3.2	2.6-3.4	2.6-3.4
200"	3.3-4.3	3.5-4.5	3.4-4.5
240"	4.0-5.2	4.2-5.5	4.1-5.4
300"	5.0-6.5	5.3-6.8	5.2-6.8
400"	6.7-8.7	7.0-9.1	6.9-9.0
500"	8.4-10.9	8.8-11.4	8.7-11.3

TIP:

Calculation of the throw distance from the screen size (m)

PA600X/PA500X: $H \times 0.8$ to $H \times 1.1$: 1.0 m (min.) to 10.9 m (max.)

PA550W: $H \times 0.8$ to $H \times 1.0$: 1.0 m (min.) to 11.4 m (max.)

PA500U: $H \times 0.8$ to $H \times 1.0$: 1.0 m (min.) to 11.3 m (max.)

* "H" (Horizontal) refers to the screen width.

* Figures differ by several % with the table above because the calculation is approximate.

Lens shifting range

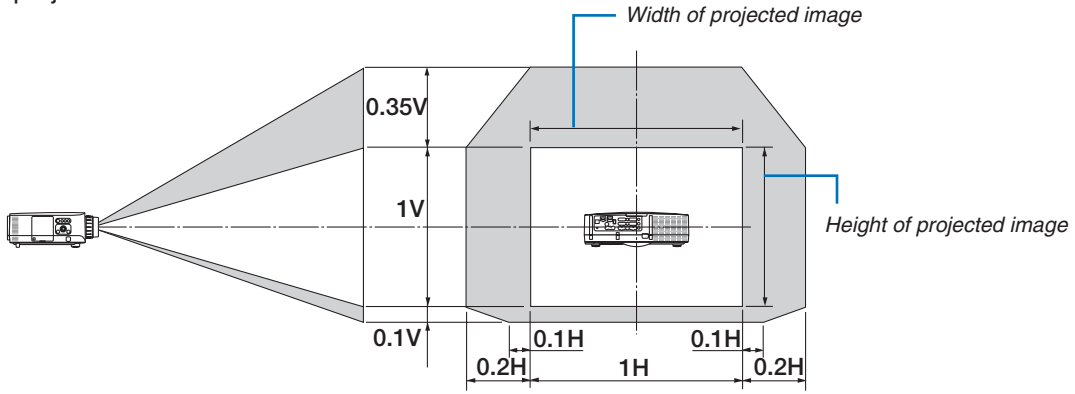
The lens shift dials on the projector allow you to move the position of the projected image in the vertical and horizontal directions based on the following ranges.

Description of symbols: V indicates vertical (height of the projected image), H indicates horizontal (width of the projected image).

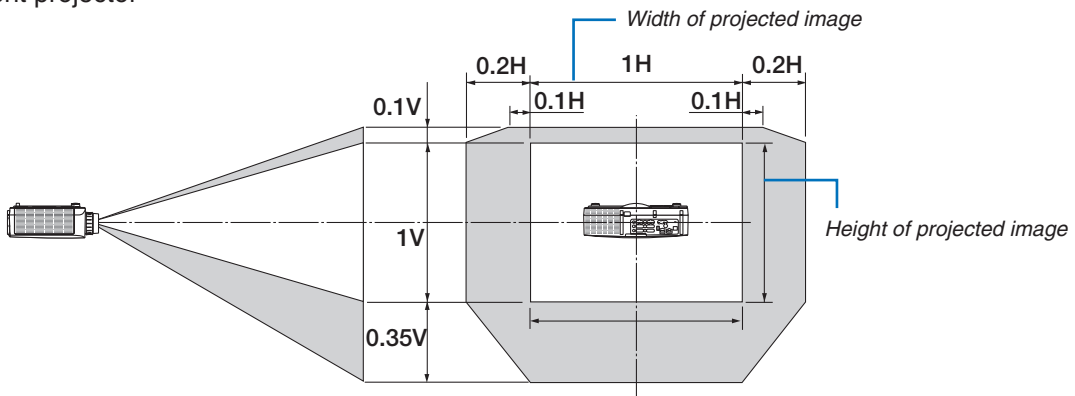
For adjusting the lens shift, see the User's Manual supplied with the projector.

PA600X/PA500X

Desk/front projection

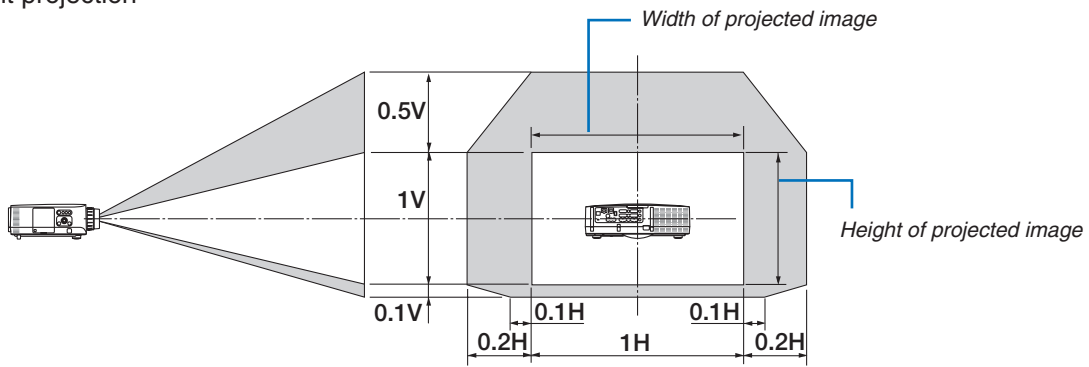


Ceiling/front projector

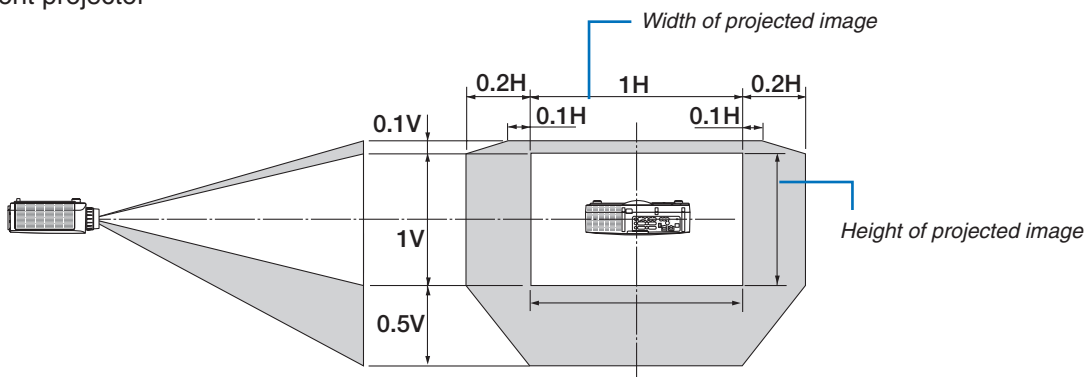


PA550W/PA500U

Desk/front projection

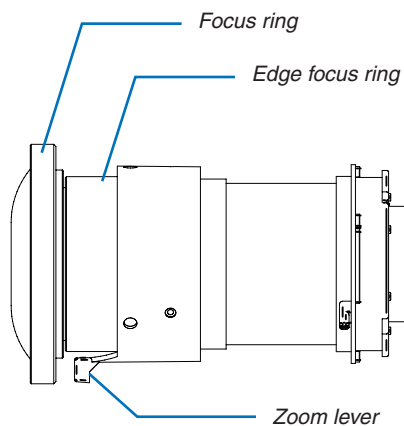


Ceiling/front projector



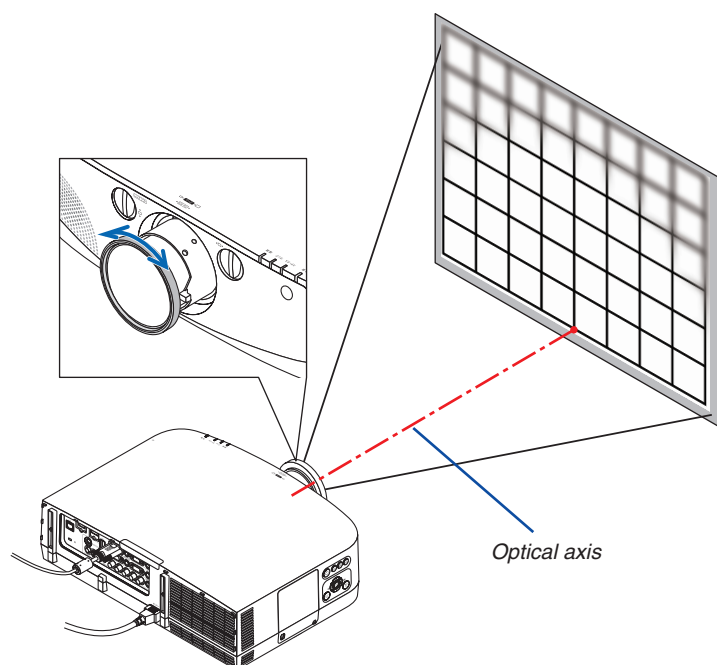
Adjusting the focus

Part names of the lens

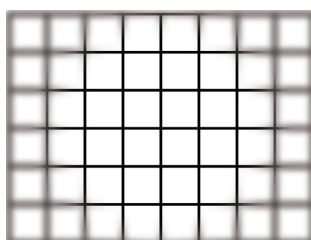


1. Turn the focus ring clockwise or counterclockwise to focus on the projected image around the optical axis.

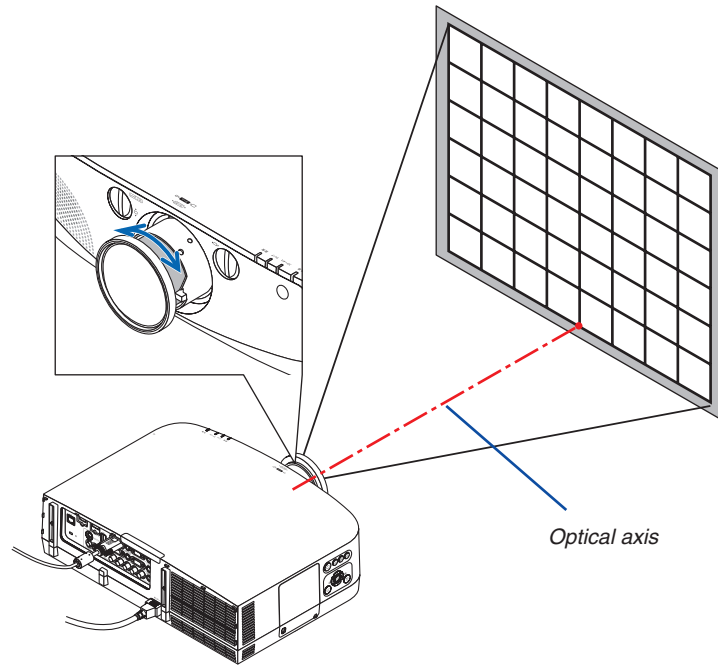
The drawing below shows an example when the projected image is shifted upward. In this case the optical axis is at the bottom edge of the projected image.



- * With the lens shift in the center position the optical axis is at the center of the image. In this case, adjust the focus at the center of the projected image.



2. Turn the edge focus ring clockwise or counterclockwise to adjust the focus at the edges of the projected image. Doing so will not affect the focus adjustments around the optical axis done at Step 1.



This completes adjusting the projected image's overall focus.