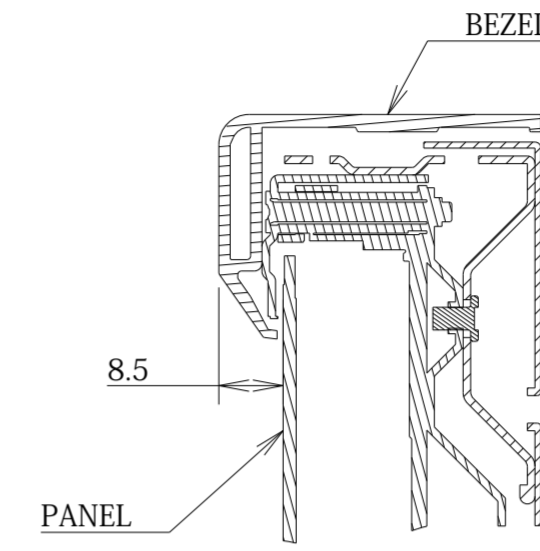
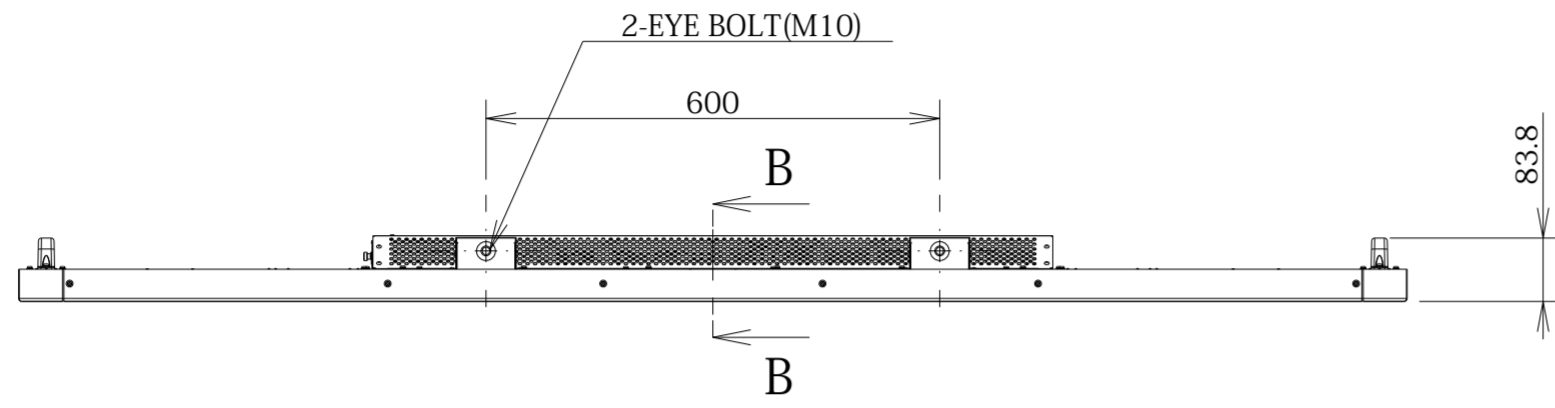
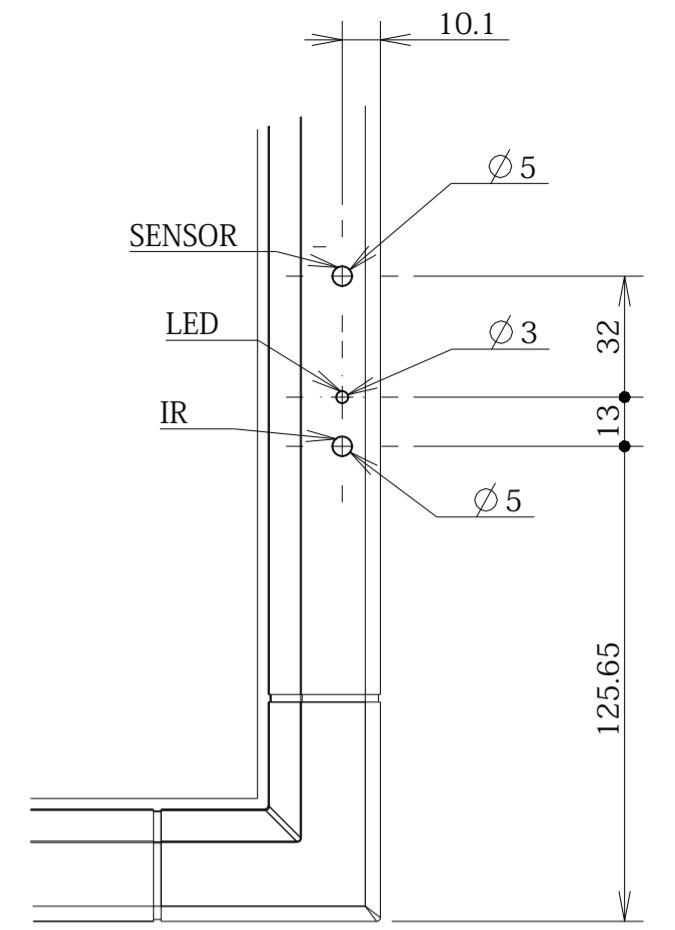


# E805 OUTLINE

The center of gravity: It is within 10mm from active center.



section B-B  
scale 1/1



section A  
scale 1:2

