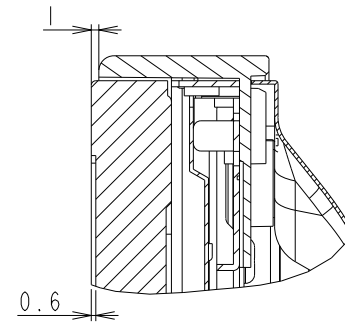
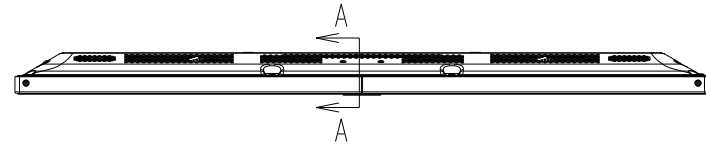
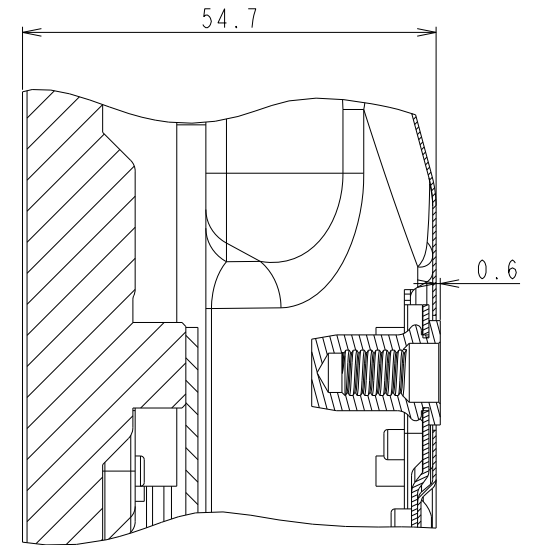


V404 OUTLINE

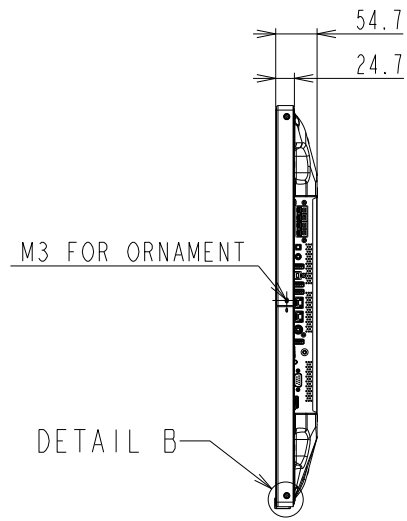
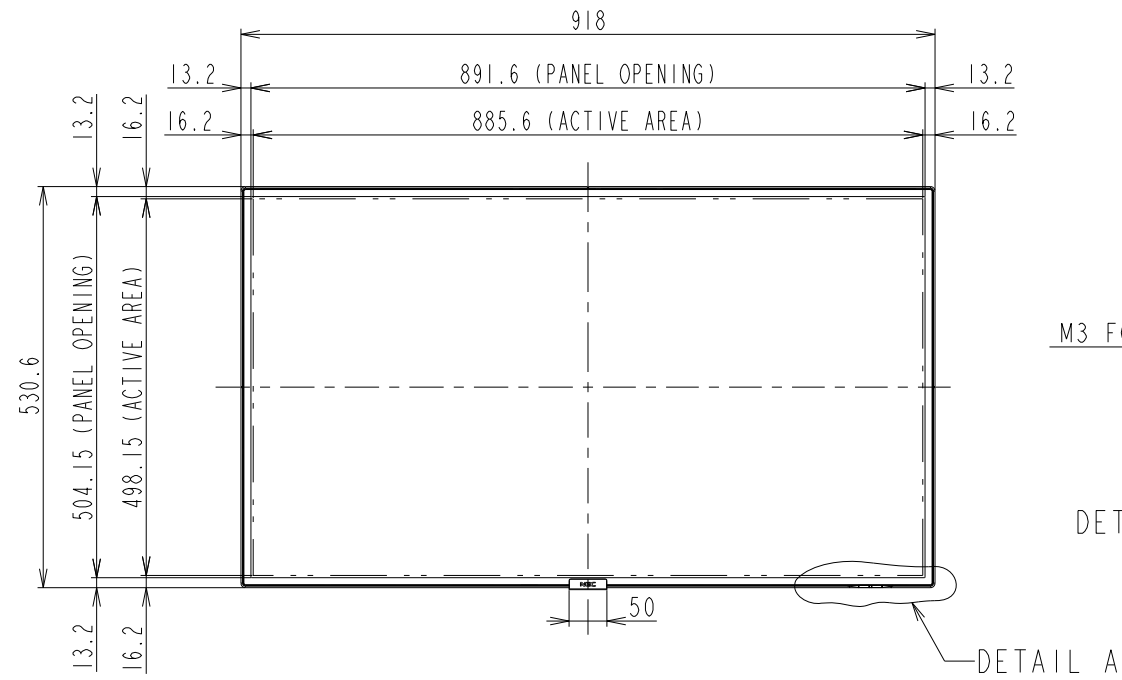
The center of gravity: It is within 10mm from active center.



SECTION A-A
SCALE 1/1

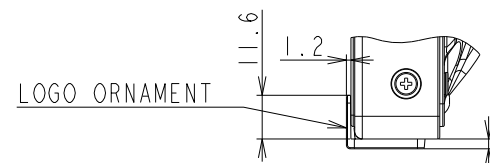
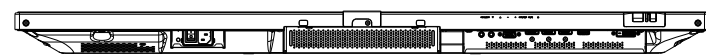
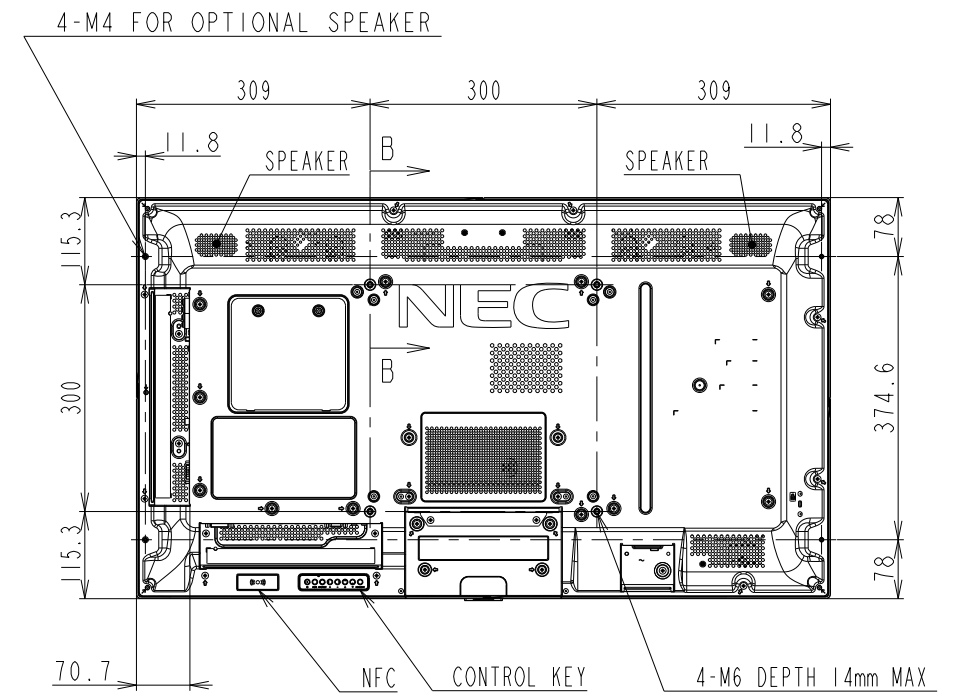


SECTION B-B
SCALE 1/1

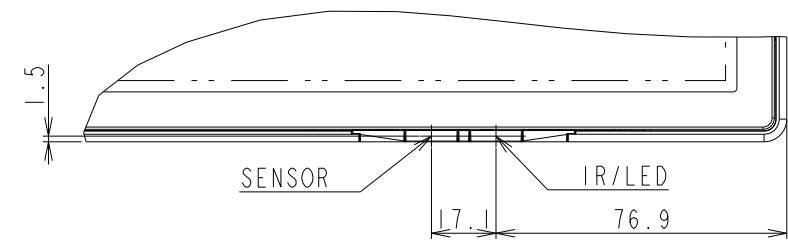


M3 FOR ORNAMENT

DETAIL B



DETAIL B
SCALE 1/2



DETAIL A
SCALE 1/2

UNIT	mm
MODEL	V404
SCALE	1/10
NEC Display Solutions 2016/12/15	