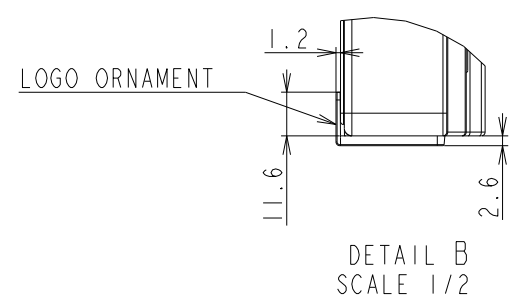
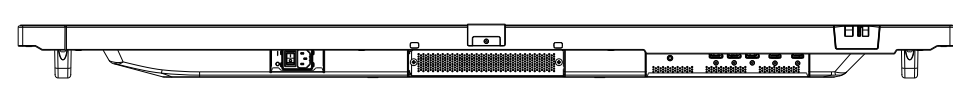
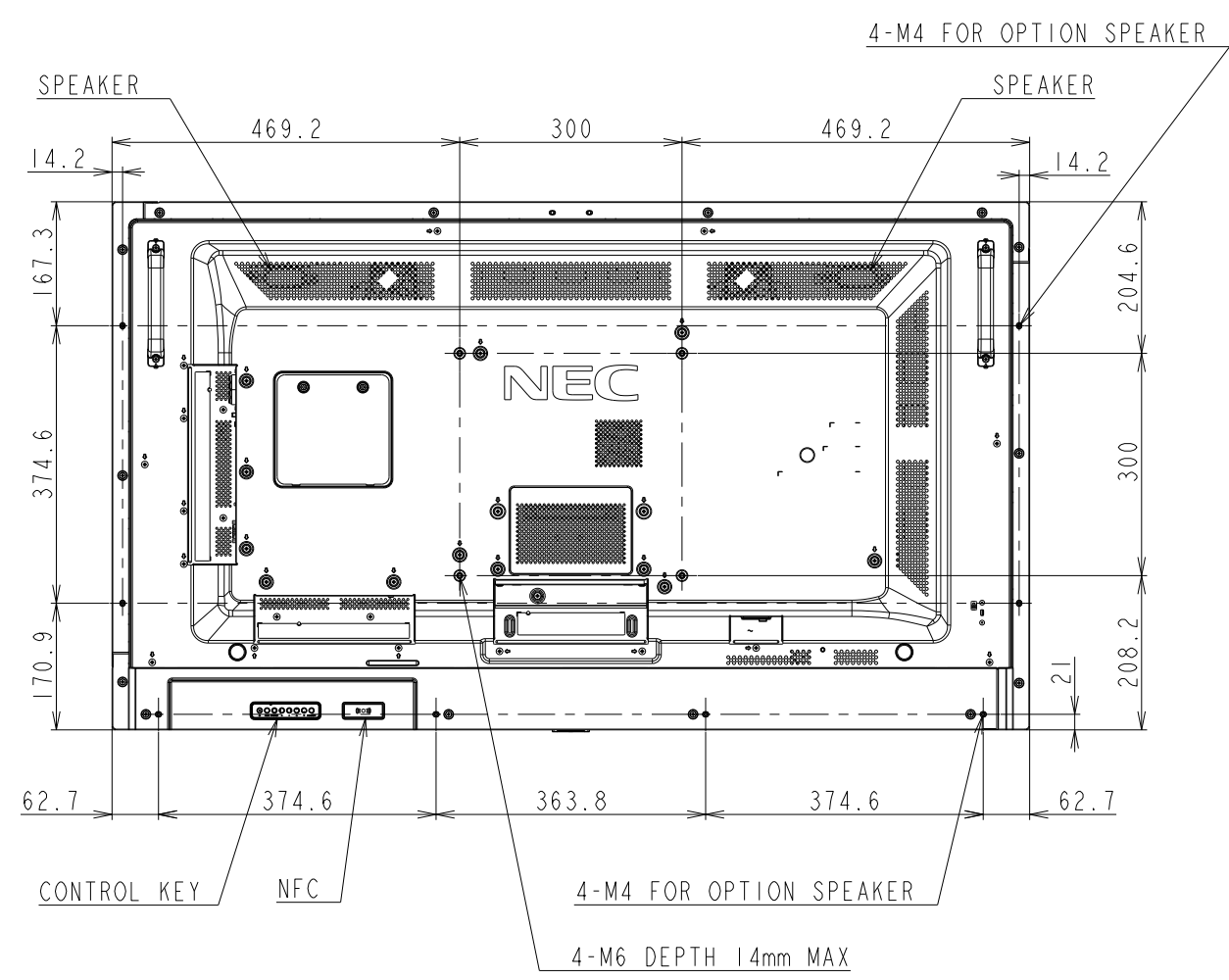
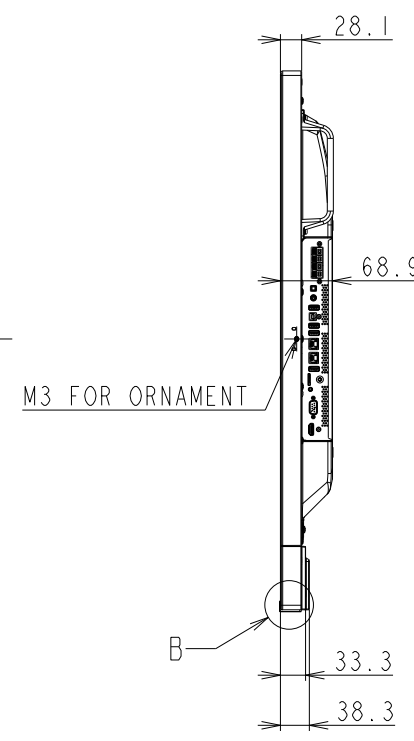
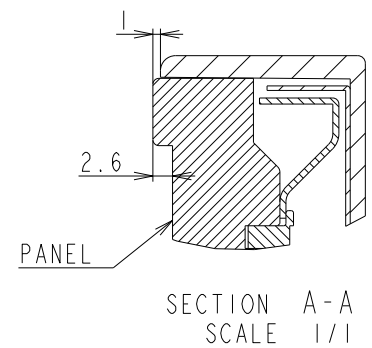
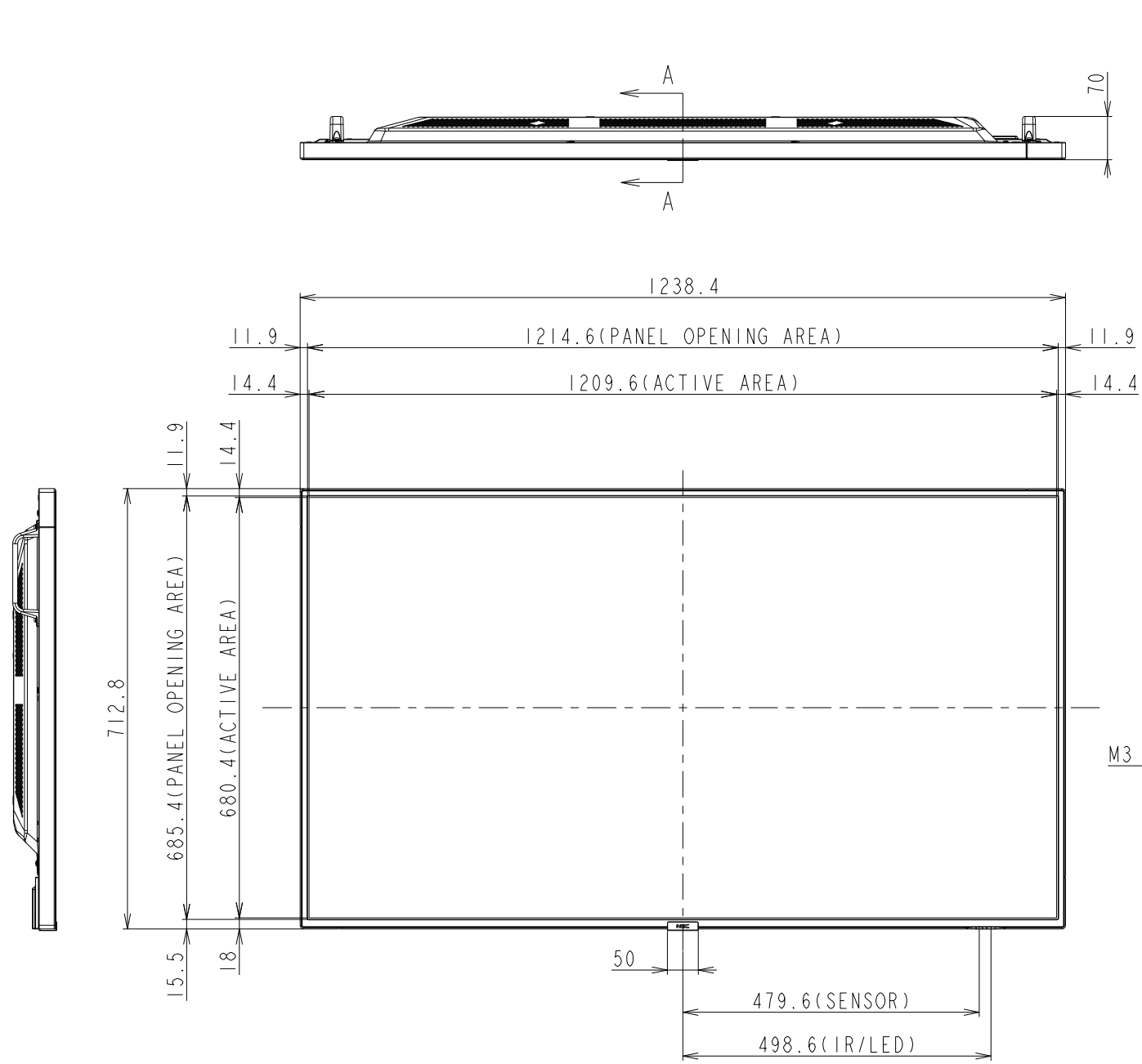


V554Q OUTLINE

The center of gravity: It is within 10mm from active center.



UNIT	mm
MODEL	V554Q
SCALE	1/10
NEC Display Solutions 2019/01/15	