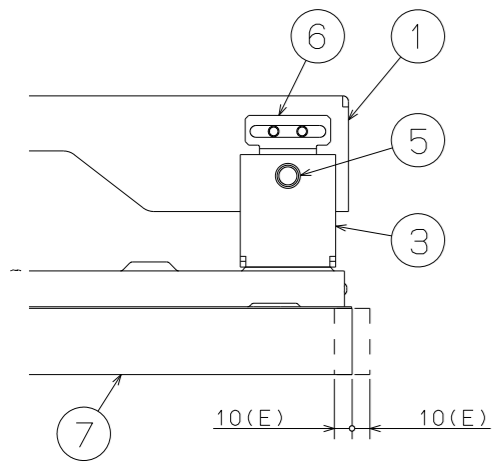
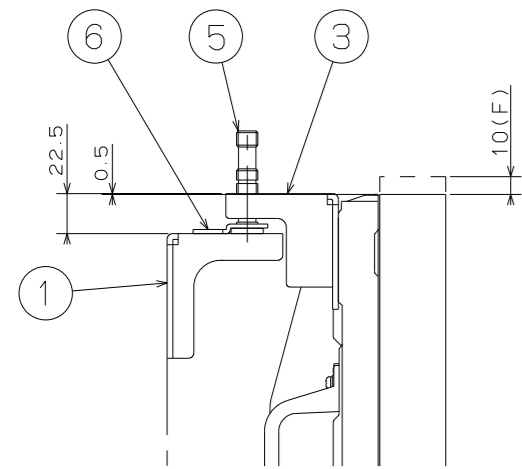


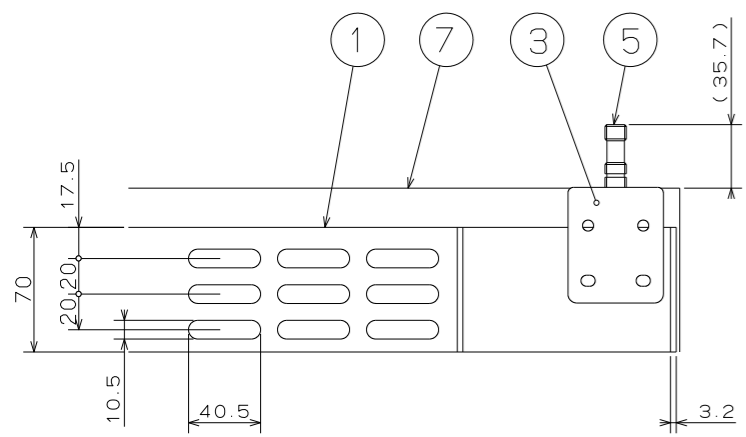
UN551VS with WM-55UN-L Installation Drawing



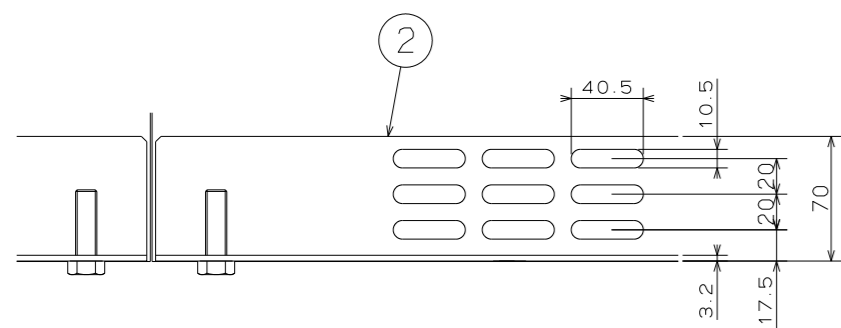
DETAIL of A



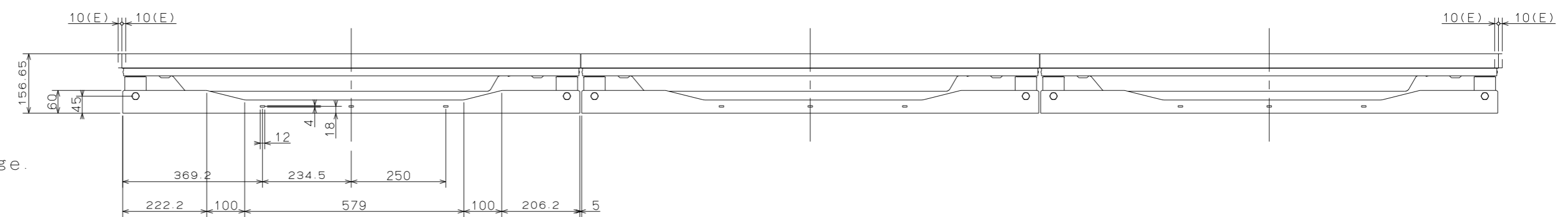
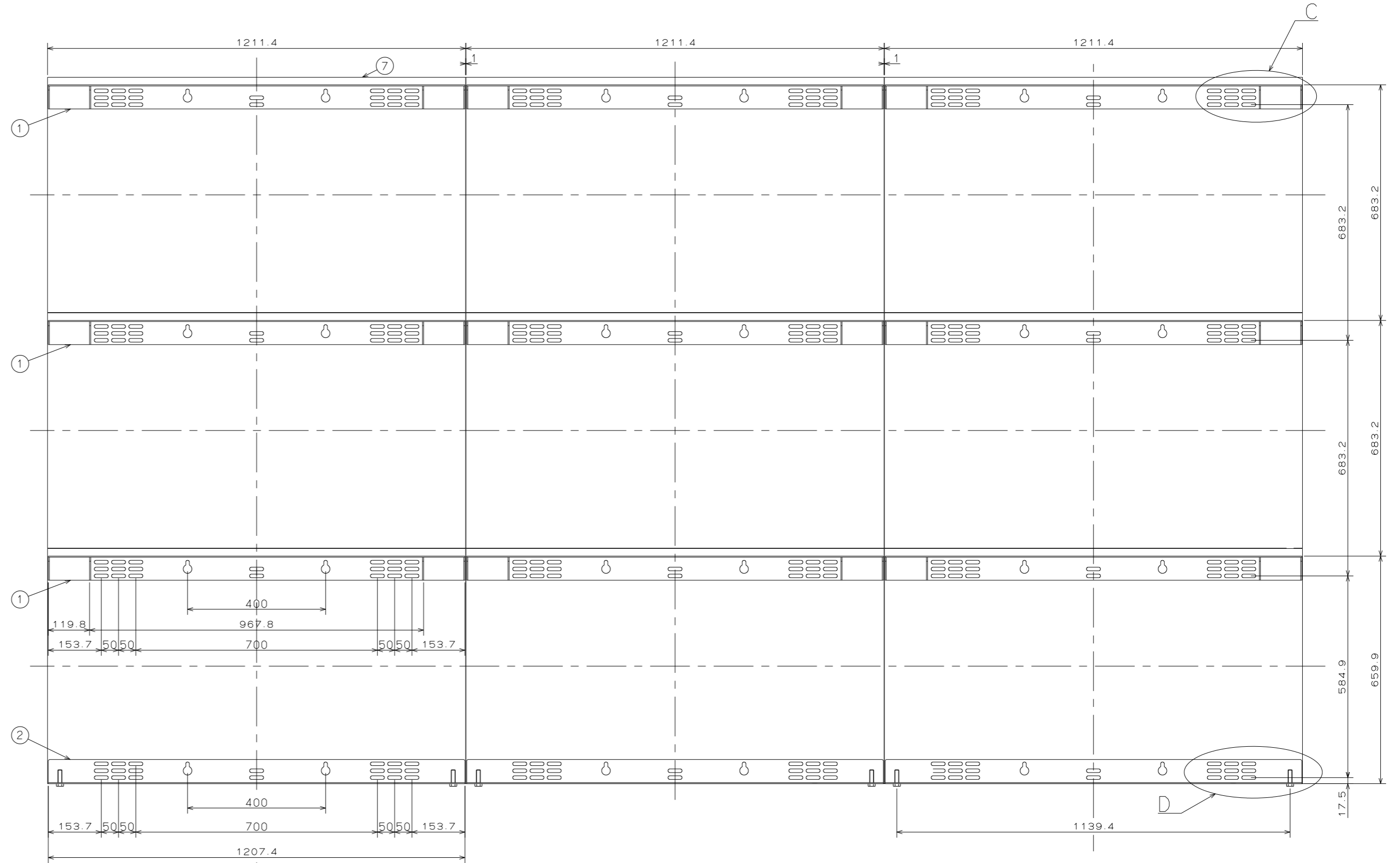
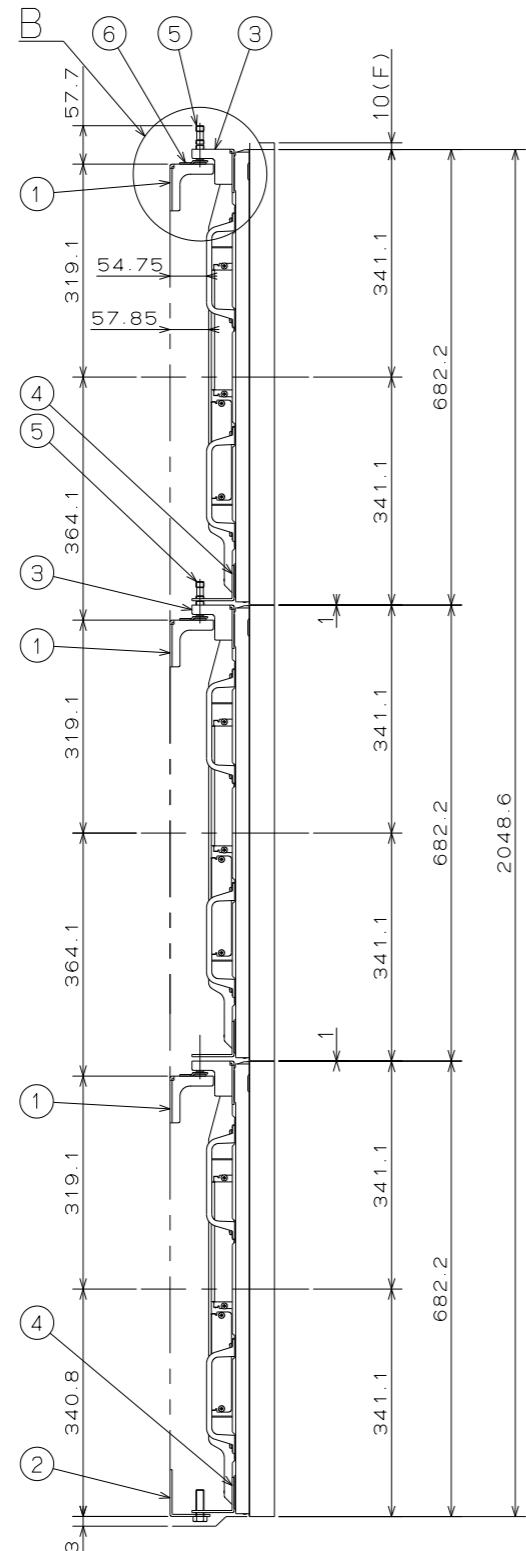
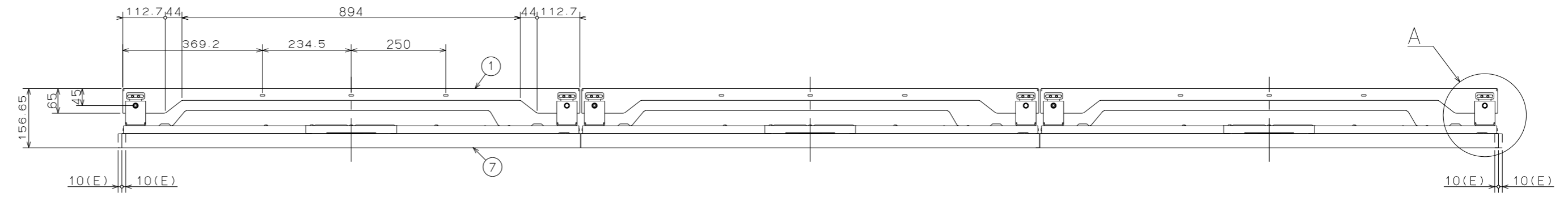
DETAIL of B



DETAIL of C



DETAIL of D



- 1) This monitor is not symmetrical. Center line shows image center.
- 2) Dimension (E) shows adjustable range of horizontally. Dimension (F) shows adjustable range of vertically.
- 3) Monitor position is shown bottom end in adjustable range.

- Parts
- ① Wall bracket (top)
 - ② Wall bracket (bottom)
 - ③ Monitor bracket (top)
 - ④ Monitor bracket (bottom)
 - ⑤ Adjuster pin
 - ⑥ Stopper
 - ⑦ Monitor