

**PC Control Utility PD 1  
Installation manual**

**“Connection between Public Display and PC”**

## Items

1	About PC Control Utility PD 1	-----	3
2	Operating Environment	-----	3
2.1	Supported OS	-----	3
2.2	PC	-----	3
3	Connections	-----	4
3.1	LAN Connection	-----	4
3.2	Serial Connection	-----	4
3.3	RS-232C Daisy Chain	-----	4
4	Settings of Public Display	-----	5
4.1	Select the control	-----	5
4.2	Network Setting	-----	5
5	PC Control Utility PD 1	-----	7
5.1	INSTALL	-----	7
5.2	Run PC Control Utility PD 1	-----	7
5.3	Communication Settings	-----	8
5.4	Confirmation of the connection	-----	10
	Notes	-----	13

## 1. About PC Control Utility PD 1

PC Control Utility PD 1 controls the power on/off switching, the input signal switching, and other functions of the connected Public Displays and manages the usage time and wide variety of other information.

The software also permits control the Public Display according to a specified schedule and can send e-mail when an error has occurred with the Public Display.

### Function

- |  |                                   |                |                 |
|--|-----------------------------------|----------------|-----------------|
| 1. Power on/off  | 2. Input select ( Video / Audio ) | 3. Sound Mute  | 4. Picture Mode |
| 5. Aspect  | 6. Fan control ( except X461HB )  | 7. Tile Matrix |                 |
| 8. Picture Adjustment, Volume Setting, Multi Display                 |                                   |                |                 |
| 9. Schedule ( Power on/off, Input select, Mute, Tile Matrix on/off ) |                                   |                | 10. Alert Mail  |

## 2. Operating Environment

### 2.1 Supported OS

PC Control Utility PD 1 supports the following OS.

Windows 2000 Professional

Windows XP Home Edition

Windows XP Professional

Windows Vista Home Basic

Windows Vista Home Premium

Windows Vista Business

Windows Vista Enterprise

Windows Vista Ultimate

Windows 7 Home Basic

Windows 7 Home Premium

Windows 7 Professional

Windows 7 Enterprise

Windows 7 Ultimate

Windows 8

Windows 8 Pro

Windows 8 Enterprise

Windows 8.1

Windows 8.1 Pro

Windows 8.1 Enterprise

Windows 10 Home

Windows 10 Pro

Windows 10 Enterprise

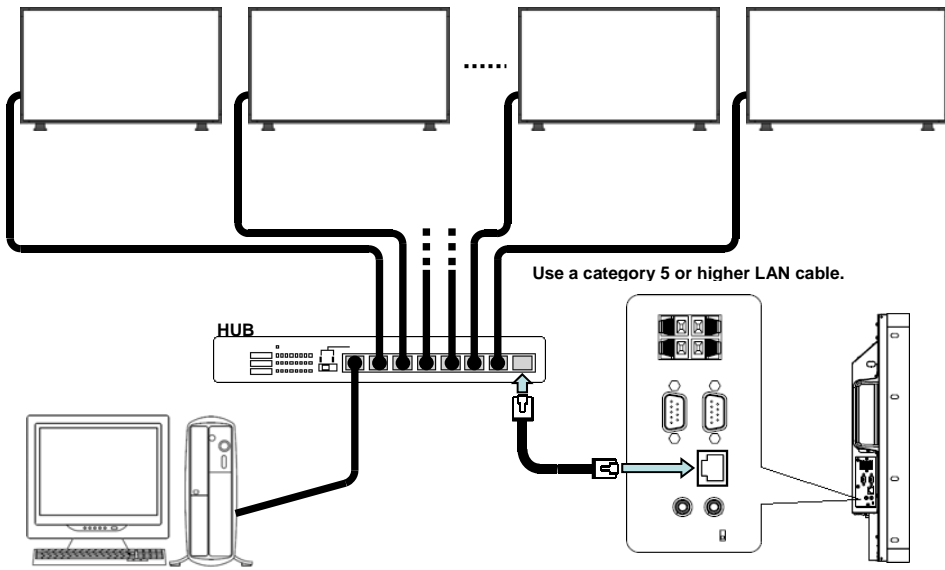
Windows 10 Education

### 2.2 PC

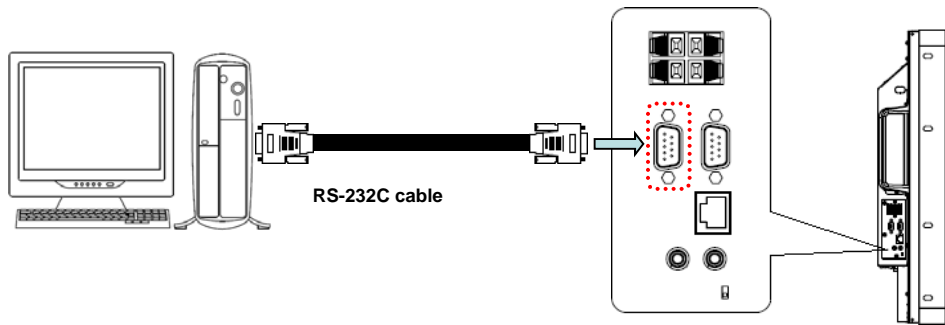
Please confirm the LAN port or Serial Port(RS-232C) is available to your personal computer.

### 3. Connections

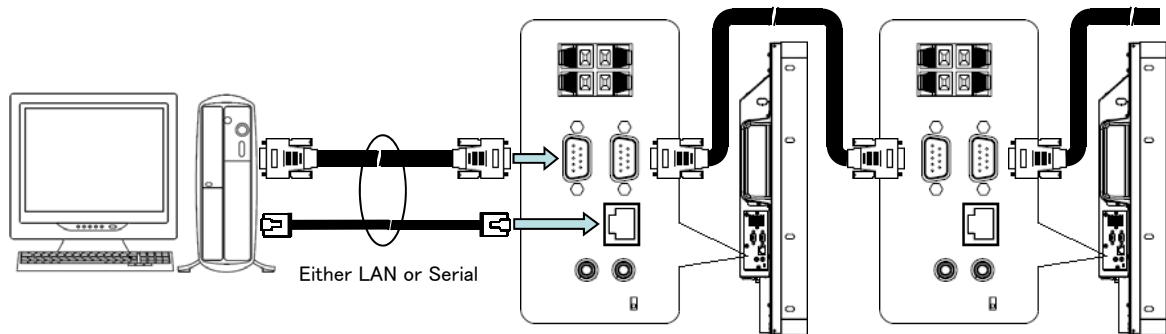
#### 3.1 LAN connection



#### 3.2 Serial Connection



#### 3.3 RS-232C Daisy Chain



Information : Set the "EXTERNAL CONTROL" - " ID=ALL REPLY " in the OSD

## 4. Settings of Public Display

### 4.1 Select RS-232C or LAN

Select RS-232C or LAN via the OSD.

The default is set to RS-232C( "MULTI DISPLAY" → "EXTERNAL CONTROL" → "CONTROL").



### 4.2 Network Settings(LAN)

Default settings are as follows;

DHCP	Disable
IP ADDRESS	192.168.0.10
SUBNET MASK	255.255.255.0
DEFAULT GATEWAY	192.168.0.1

The IP address and subnet mask of the Public Display can be set on the Network Settings screen of the web browser by using an HTTP server function. Please be sure to use "Microsoft Internet Explorer 6.0" or higher version for the web browser. (The device uses "JavaScript" and "Cookies" and the browser should be set to accept these functions.)

To access;

<http://<the Monitor's IP address>/index.html>

[Home](#)  
[Network](#)  
[Mail](#)  
[SNMP](#)  
[Reboot](#)

**Network Settings**

### IP v4 Settings

DHCP:  Enable  Disable

IP v4 Address:

Subnet Mask:

Default Gateway:

Primary DNS:

Secondary DNS:

---

Copyright © NEC Display Solutions, Ltd. 2010. All rights reserved.

After changing the settings, click  button and Reboot.

IP address will not be displayed on the monitor's menu.  
Consult your network administrator for the IP address when Enable is selected for DHCP.

To reset Network Settings,  
from the menu of Public Display

“MULTI DISPLAY” ➔ “EXTERNAL CONTROL” ➔ “LAN RESET”.

## 5. PC Control Utility PD 1

### 5.1 INSTALL

Run "PCCU\_PD1\_101.exe" to install PC Control utility PD 1.

This software requires Microsoft .NET Framework 2.0.

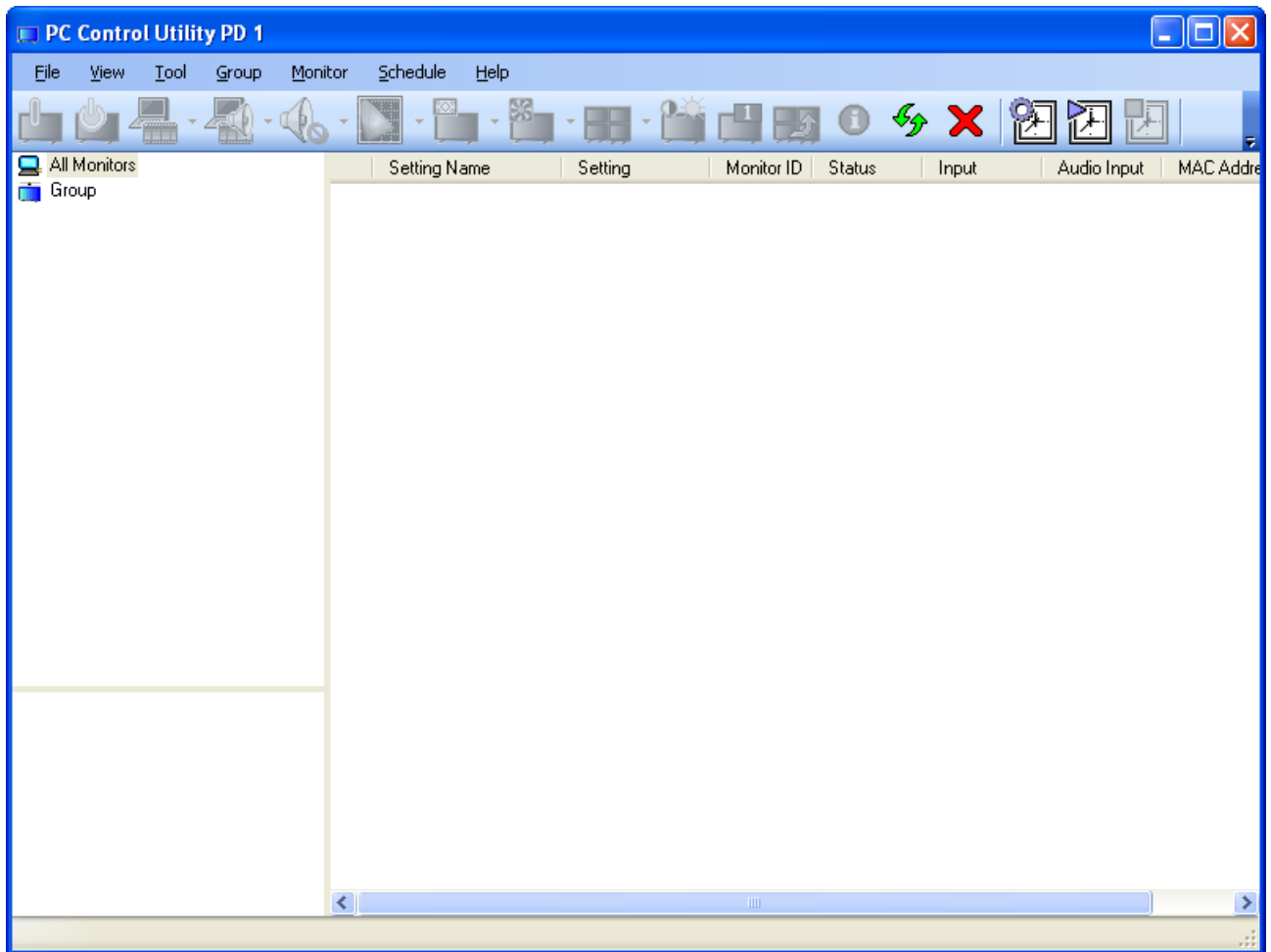
If InstallShield Wizard requires to Microsoft .NET Framework 2.0, please install it first.

### 5.2 Run PC Control Utility PD 1

To run "PC Control Utility PD 1",

"Start" → "All Programs"(or "Programs") → "NEC Display Solutions" → "PC Control Utility PD 1"

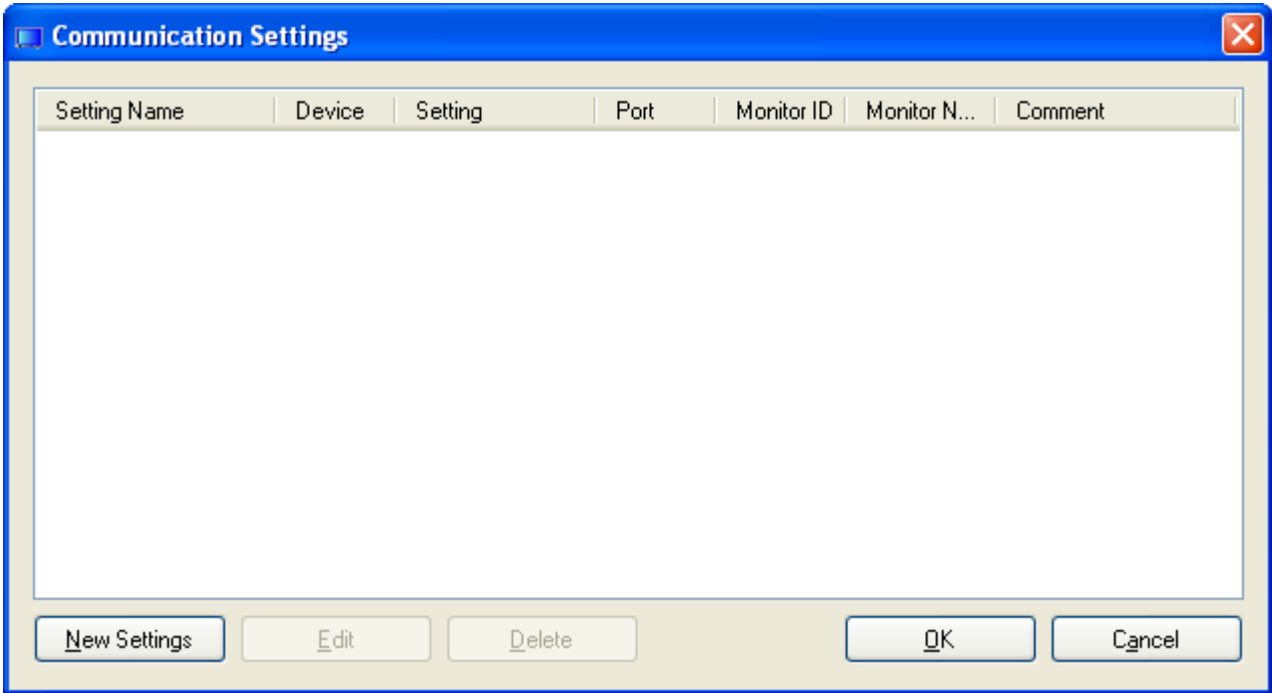
→ "PC Control Utility PD 1".



Next, you need to set "Communication Settings".

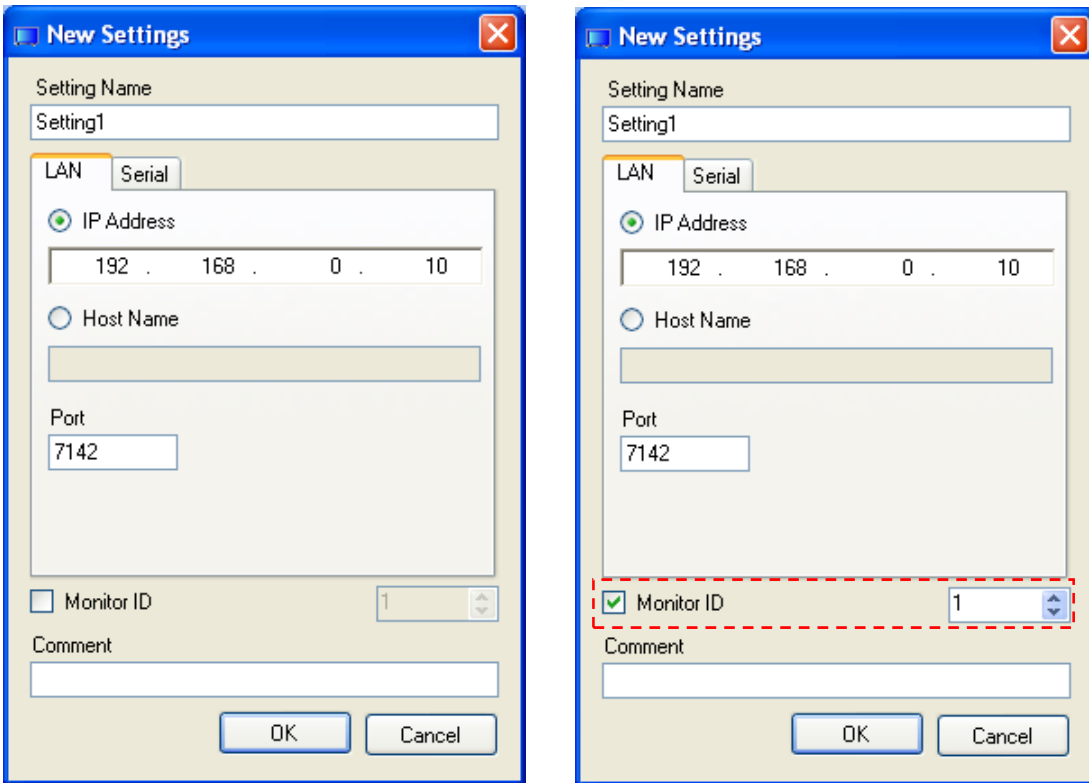
### 5.3 Communication Settings

Open Communication Settings (Tool → Communication)



Click **New Settings** .

#### (1) LAN connection

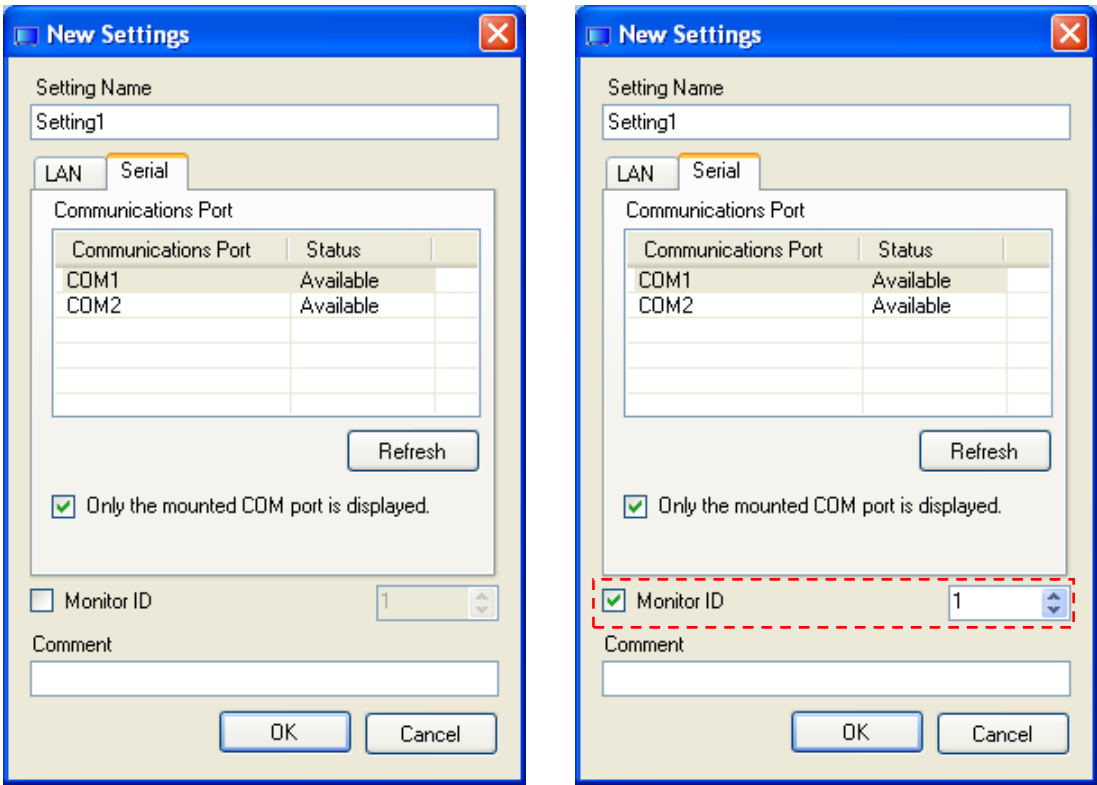


Input the Setting Name and set IP address which is set to the Public Display. The Port number of the Public Display is set to “7142”. Using RS-232C daisy chain, put the check in Monitor ID on and select the Monitor ID number.



**(2) Serial Connection**

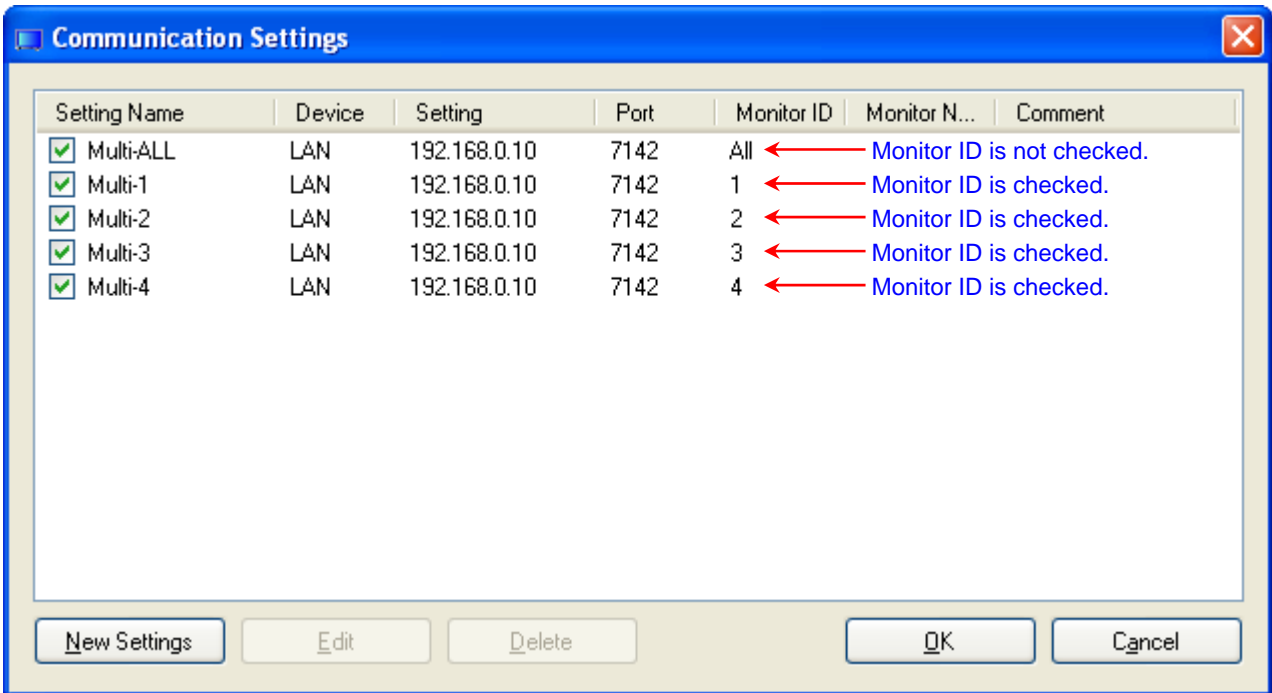
Select "Serial" after clicking **New Settings** button.



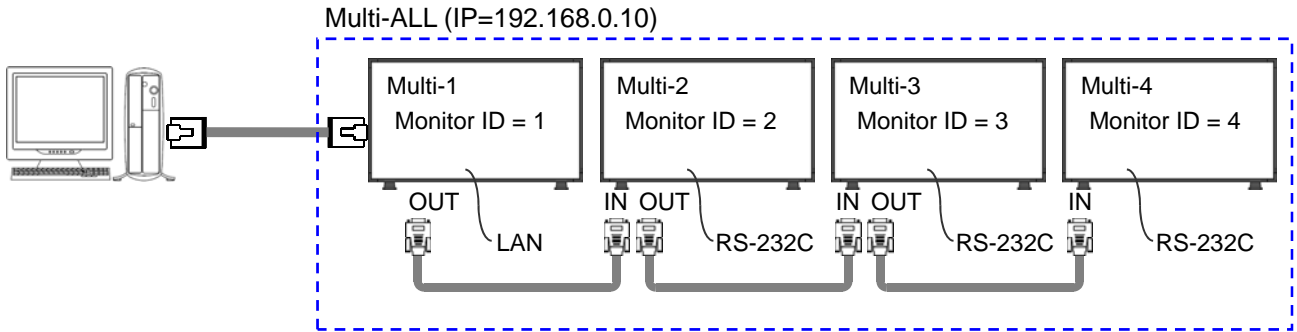
The mounted COM port is displayed.

Select the COM port which is connected with the monitors.

Set Communication Settings for all Public Displays.



Click **OK** button after set all settings.



### 5.4 Confirmation of the connection

When the communication is success, the connected Public Display information is displayed.

PC Control Utility PD 1

File View Tool Group Monitor Schedule Help

Setting Name	Setting	Monitor ID	Status	Input	Audio Input	MAC Address
Multi-ALL	192.168.0.10	All	Running	DVI	AUDIO-1	00-16-97-B...
Multi-1	192.168.0.10	1	Running	DVI	AUDIO-1	00-16-97-B...
Multi-2	192.168.0.10	2	Running	DVI	AUDIO-1	00-16-97-B...
Multi-3	192.168.0.10	3	Running	DVI	AUDIO-1	00-16-97-B...
Multi-4	192.168.0.10	4	Running	DVI	AUDIO-1	00-16-97-B...

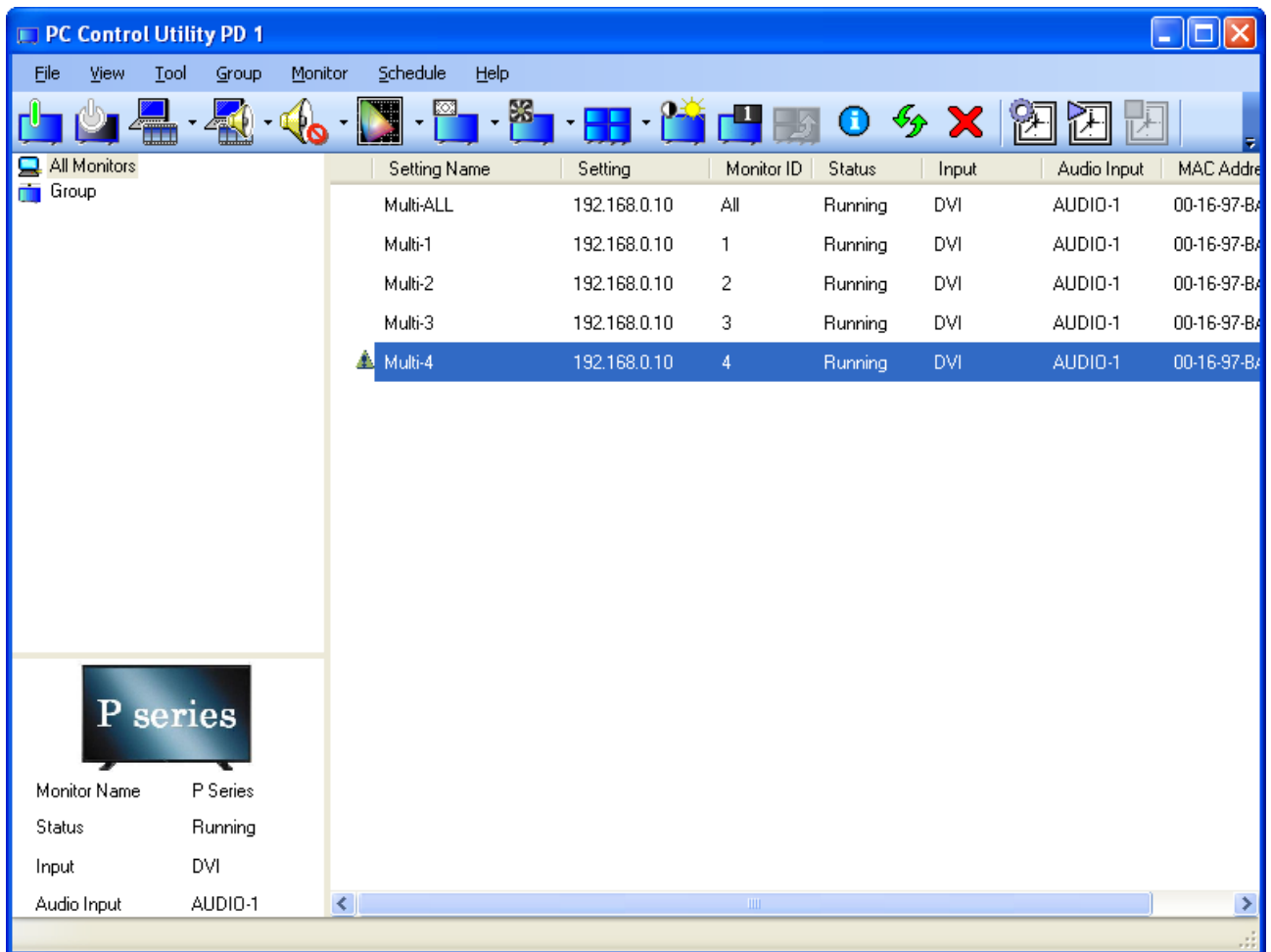
The information which is set Monitor ID=All shows the status of which is connected with PC.

**P series**

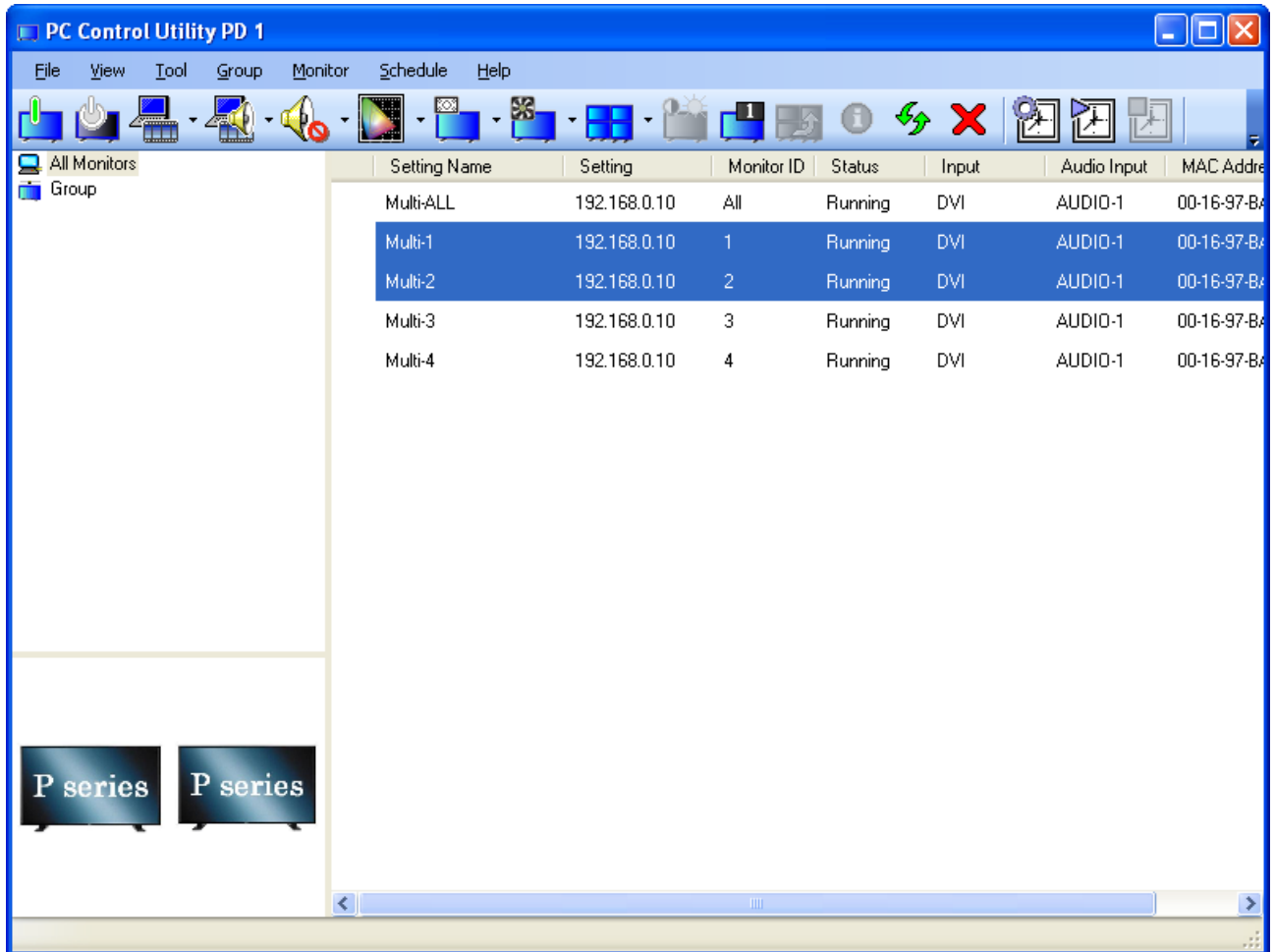
Monitor Name P Series  
Status Running  
Input DVI  
Audio Input AUDIO-1

If the connection is missing,  is displayed.

Please check the power cable, the communication cable, communication settings and Monitor ID of the Public Display and PC settings.



When you select two or more monitors, images are displayed in "Selected monitor information area". You can control power on/off, Video input, Audio input, Sound mute, On-screen Display, Picture mode, Aspect, Fan control, Tile Matrix on/off and Tile Comp on/off.



When you control all monitors, select the monitor that Monitor ID is "All".  
 "Help" explains the detail functions. To open "Help" from MENU BAR ("Help" → "Help").

**Notes**

(1) This software requires Microsoft .NET Framework 2.0. Obtain this from the Microsoft web site or another source and install it.

(2) Either RS-232C or LAN of Public Display can be used. Please select the connection of the Public Display for your system.

(3) To use this software on a personal computer that has the personal firewall function enabled, you may need to configure the personal firewall. If you cannot communicate with Public Display at all, you will need to change the settings of the personal firewall. For details on changing the settings of the personal firewall, refer to its manual, or inquire the developer's support center.

(4) If the software is closed or PC is on the sleep mode, the schedule function cannot be used.

(5) The Adjustment setting is not available when you select two or more monitors.  
(Power on/off, Input select, Sound mute, On-screen Display, Picture mode, Aspect, Fan control, Tile Matrix on/off and Tile Comp on/off are available.)

(6) Some function does not work by setting.  
Cinema or sRGB (Picture mode) cannot be set when VGA input  
When sRGB is selected, Color Temperature can not be set.  
Please confirm the User Manual for using Public Display.

(7) This software's schedule function does not operate in association with the schedule function equipped on the monitors themselves.  
When set individually, the schedules are executed for the monitors individually.