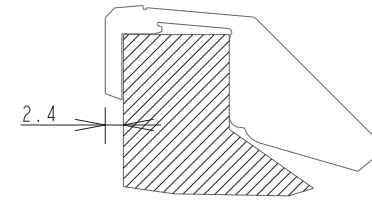
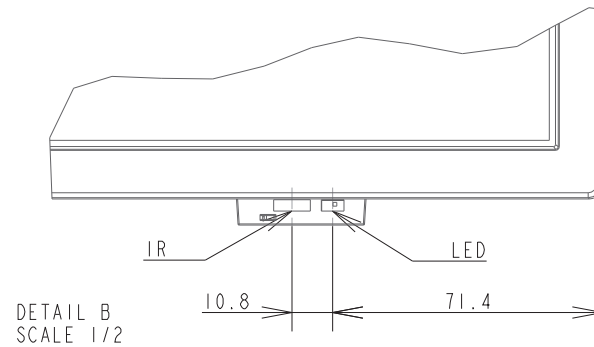
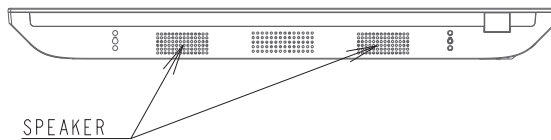
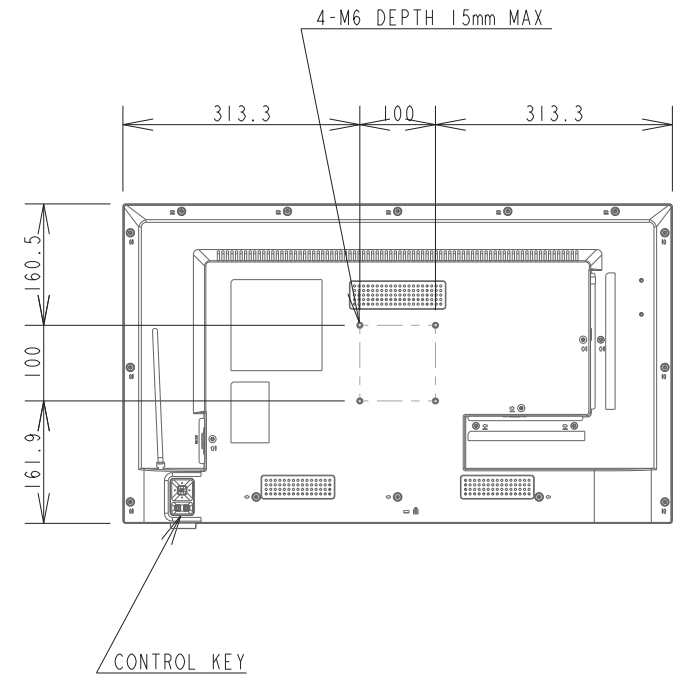
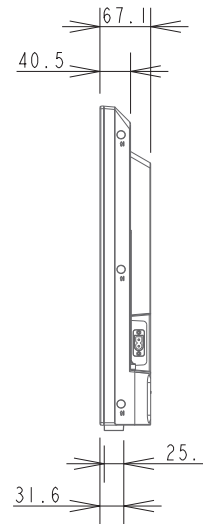
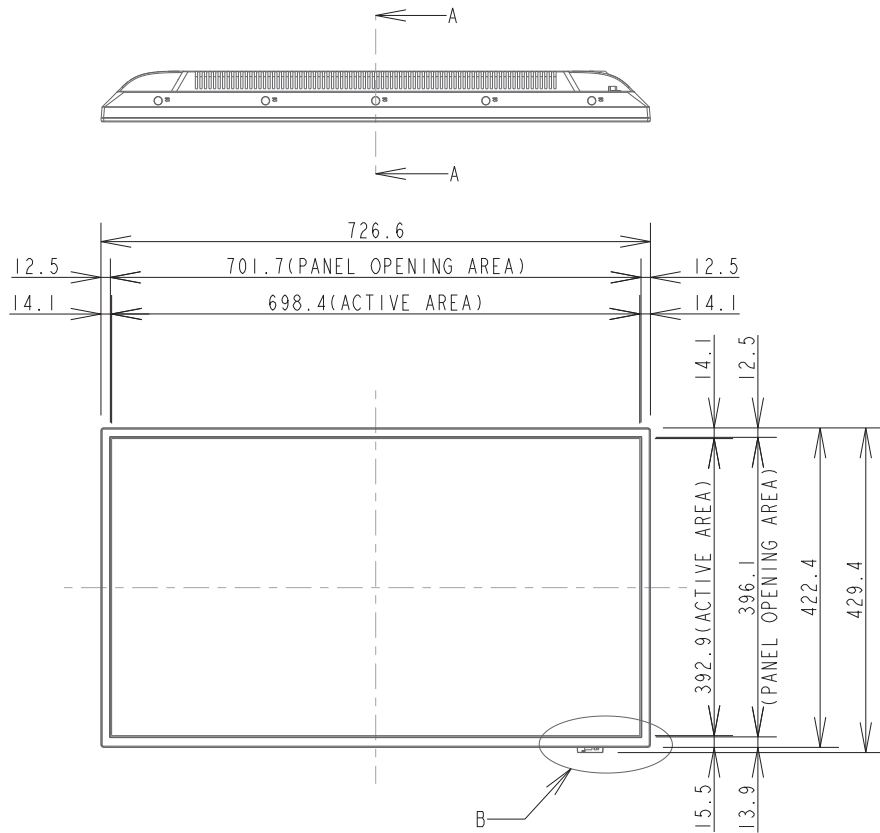


E328 PD OUTLINE



SECTION A-A
SCALE 1/1



| | |
|---|---------|
| UNIT | mm |
| MODEL | E328 PD |
| SCALE | 1/10 |
| Sharp NEC Display Solutions 2021/02/26 | |