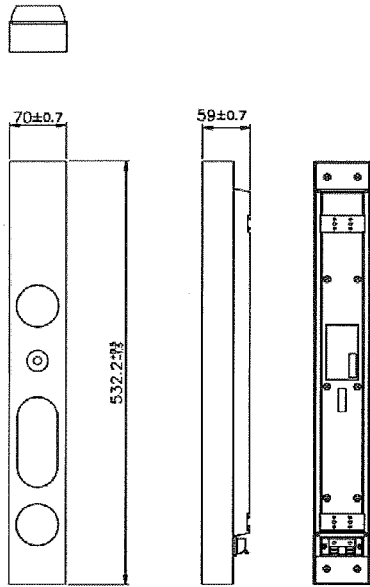
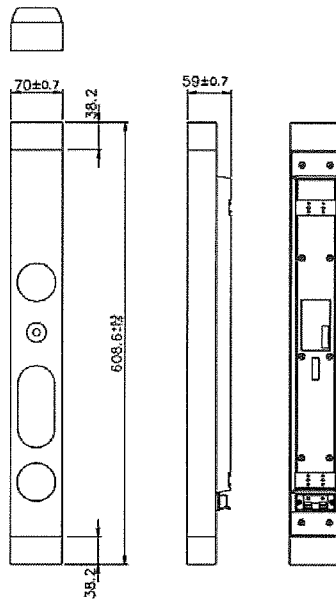


For P402



For P462/V422



For V462

