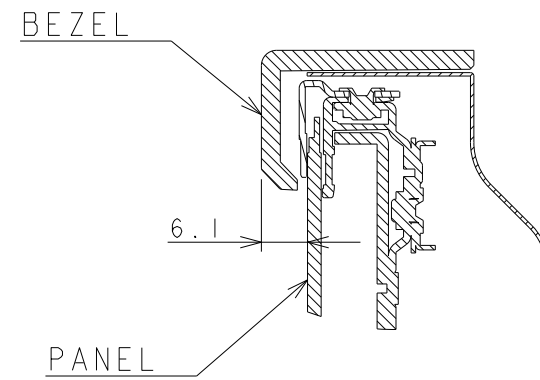
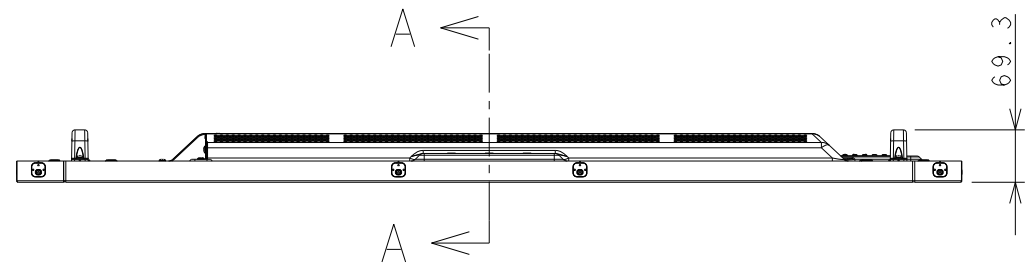
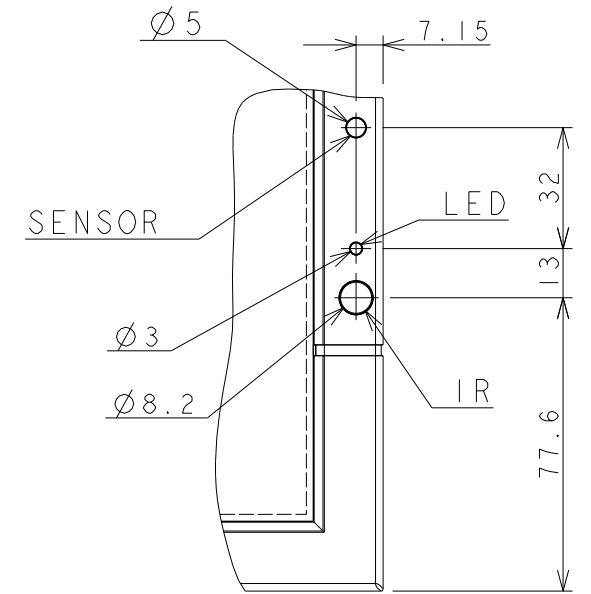


P553 OUTLINE

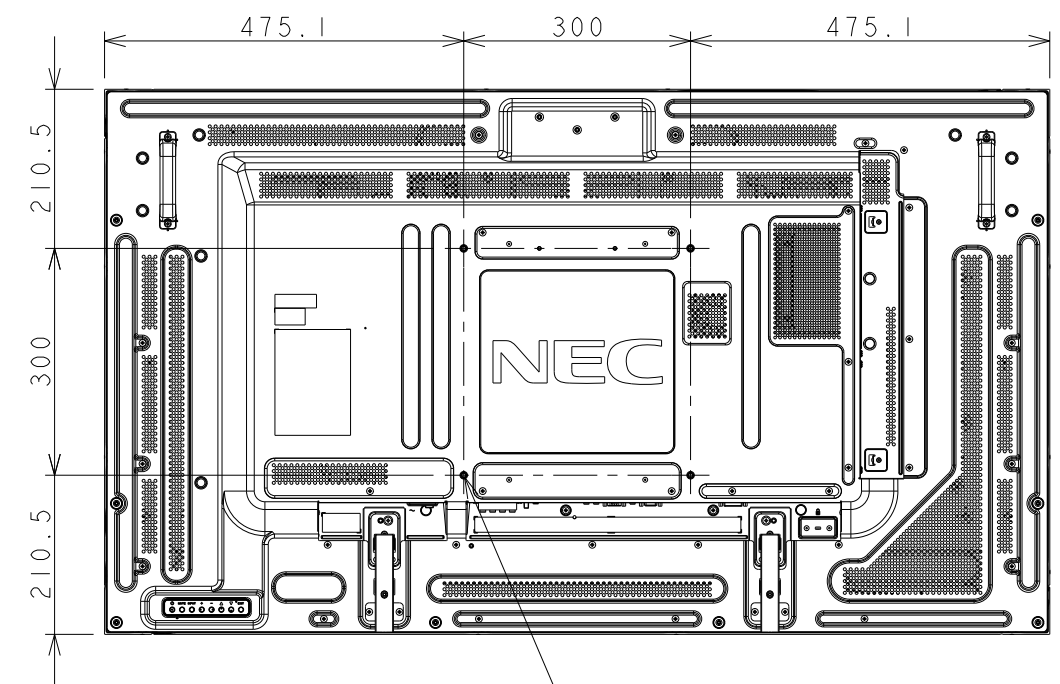
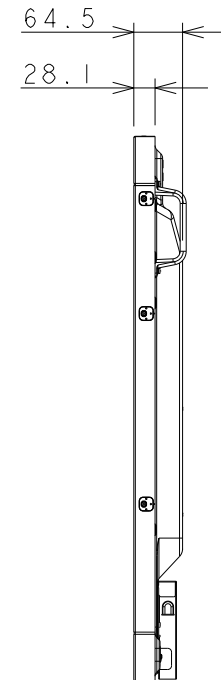
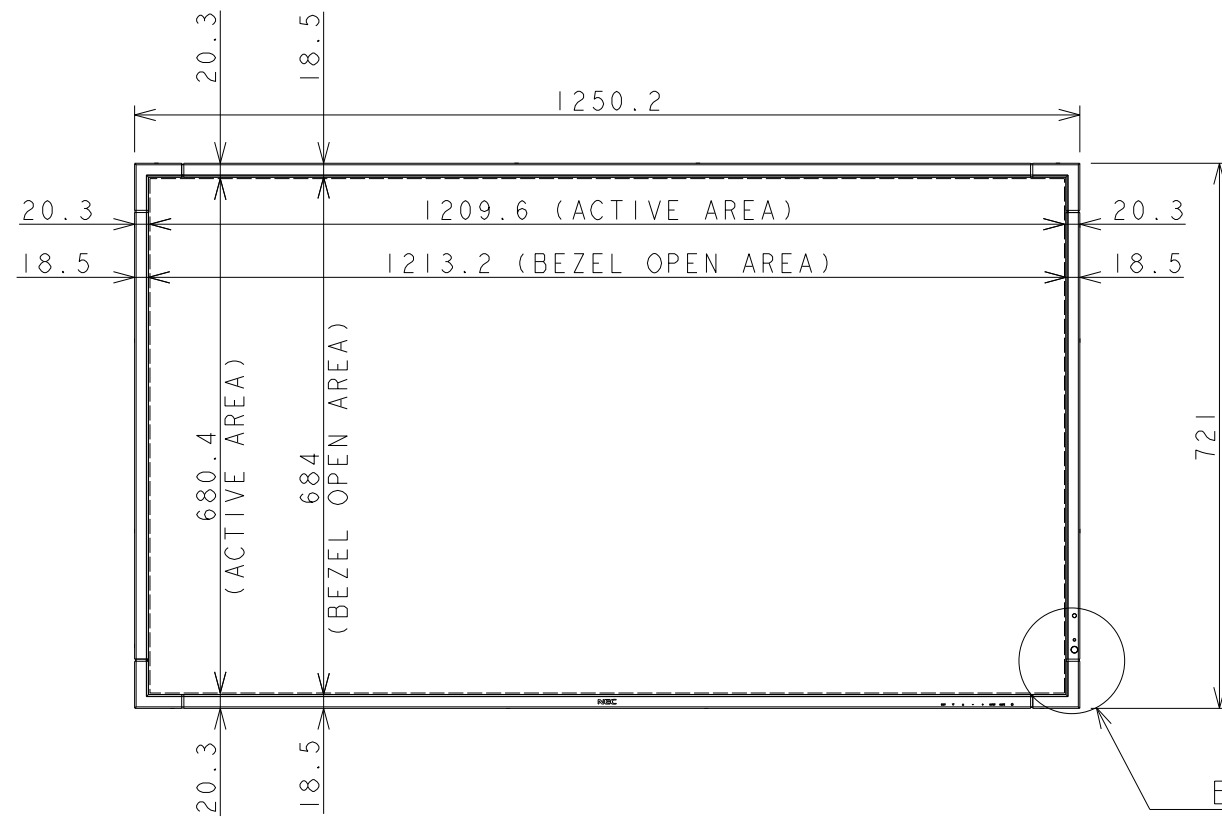
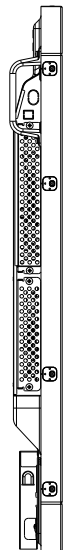
2013/08/20



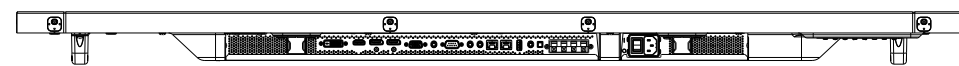
SECTION A-A
SCALE 1/1



DETAIL OF B
SCALE 1/2



4-M6 DEPTH 12MAX



SIZE A3
SCALE 1/10
DIM mm